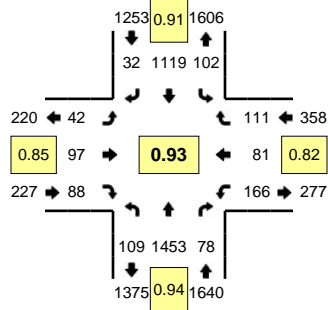
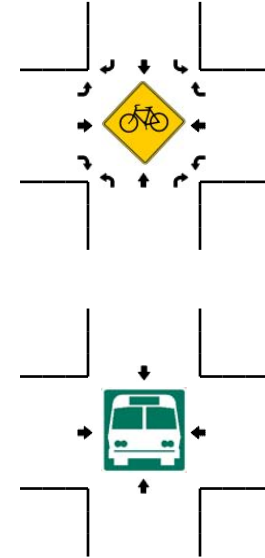
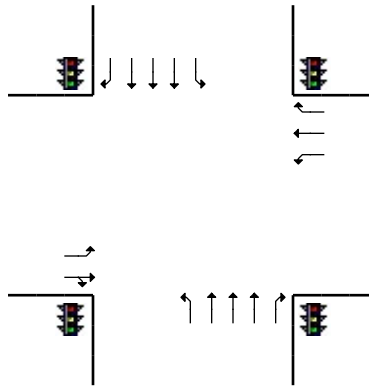
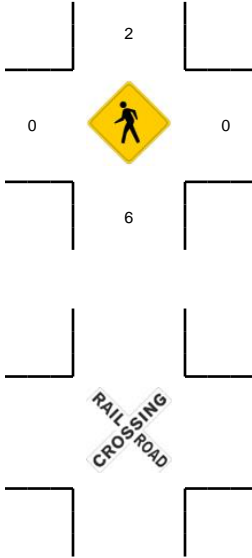
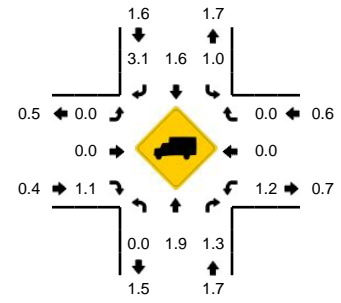


**LOCATION:** SE 164th Ave -- SE 15th St  
**CITY/STATE:** Vancouver, WA

**QC JOB #:** 10396908  
**DATE:** 12/2/2008



**Peak-Hour: 4:25 PM -- 5:25 PM**  
**Peak 15-Min: 5:00 PM -- 5:15 PM**



5-Min Count Period Beginning At	SE 164th Ave (Northbound)				SE 164th Ave (Southbound)				SE 15th St (Eastbound)				SE 15th St (Westbound)				Total	Hourly Totals
	Left	Thru	Right	U	Left	Thru	Right	U	Left	Thru	Right	U	Left	Thru	Right	U		
4:00 PM	6	127	6	1	9	79	0	0	4	4	8	0	12	7	7	0	270	
4:05 PM	16	83	4	1	12	84	0	0	5	11	6	0	17	12	12	0	263	
4:10 PM	3	117	8	0	12	117	3	0	2	10	7	0	10	8	10	0	307	
4:15 PM	12	119	9	0	4	90	6	0	3	6	6	0	12	9	9	0	285	
4:20 PM	4	103	7	0	5	78	2	0	1	4	4	0	13	7	8	0	236	
4:25 PM	9	108	8	0	12	78	2	0	4	7	8	0	12	14	9	0	271	
4:30 PM	15	152	9	0	6	79	2	0	3	11	9	0	11	1	7	0	305	
4:35 PM	8	103	5	1	10	88	2	0	8	12	9	0	15	5	11	0	277	
4:40 PM	3	131	10	0	11	111	2	0	4	8	5	0	10	5	9	0	309	
4:45 PM	13	93	4	0	14	79	2	0	6	4	9	0	20	5	11	0	260	
4:50 PM	10	118	8	0	10	112	4	0	2	6	7	0	9	6	7	0	299	
4:55 PM	13	115	5	1	15	66	4	0	0	4	7	0	11	9	9	0	259	3341
5:00 PM	7	142	6	0	1	100	3	0	3	9	5	0	15	7	7	0	305	3376
5:05 PM	14	117	3	0	7	104	4	0	5	15	10	0	17	10	12	0	318	3431
5:10 PM	7	134	6	0	4	108	4	0	2	4	5	0	19	9	9	0	311	3435
5:15 PM	7	96	6	0	6	74	2	0	3	10	7	0	19	5	13	0	248	3398
5:20 PM	1	144	8	0	6	120	1	0	2	7	7	0	8	5	7	0	316	3478
5:25 PM	8	74	5	0	11	67	1	0	5	15	7	0	20	17	9	0	239	3446
5:30 PM	4	114	12	0	7	89	1	0	4	2	4	0	15	5	2	0	259	3400
5:35 PM	10	90	6	0	12	90	3	0	2	9	6	0	9	6	9	0	252	3375
5:40 PM	5	120	4	0	8	88	1	0	1	9	7	0	6	3	5	0	257	3323
5:45 PM	9	79	3	0	18	80	1	0	3	5	3	0	10	5	9	0	225	3288
5:50 PM	2	126	6	0	12	69	1	0	2	3	7	0	8	4	12	0	252	3241
5:55 PM	12	84	6	0	10	89	2	0	6	6	5	0	15	15	5	0	255	3237
Peak 15-Min Flowrates	Northbound				Southbound				Eastbound				Westbound				Total	
All Vehicles	112	1572	60	0	48	1248	44	0	40	112	80	0	204	104	112	0	3736	
Heavy Trucks	0	28	0		0	16	4		0	0	0		4	0	0		52	
Pedestrians		8				0				0				0				8
Bicycles																		
Railroad																		
Stopped Buses																		

Comments: