



RU

Interval  60 min.  15 min.  
 Binned(CL/SP)  Count(volume)  
Lane No  1  2

---

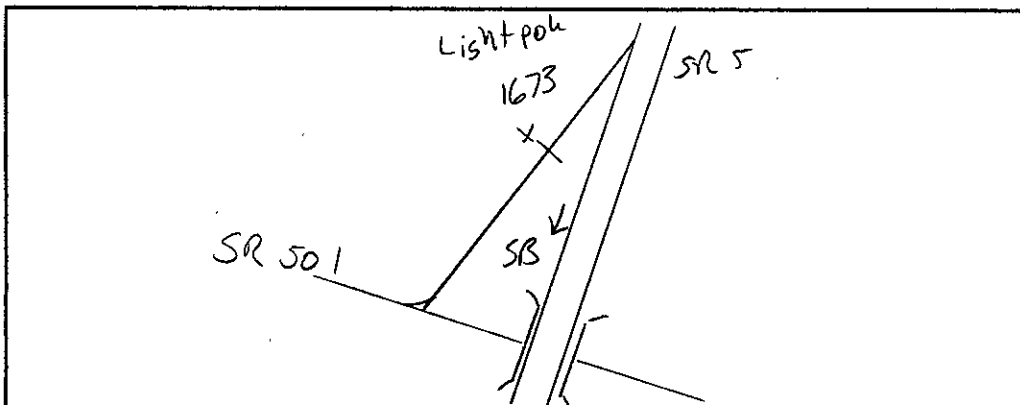
Direction Channel 1 \_\_\_\_\_  
Direction Channel 2 \_\_\_\_\_  
Unique ID# \_\_\_\_\_

Counter No. 281673 Count ID 19-001  
SR 5 RRT/RRQ R1 00138 MP 0.00  
Leg 2 Direction SB OSID \_\_\_\_\_

Station Description ON SR 5 SB off ramp to SR 501

Date	Day	Time	Comments
7/8/19	2	10:58	Manual (1) 10 (2) _____ Set up ok JDM/TPS 6.4v Counter (1) 10 (2) _____
7/9/19	3	12:06	Manual (1) 50 (2) _____ Check ok JDM/TSP 7.0v Counter (1) 50 (2) _____
7/10/19	4	10:50	Manual (1) 50 (2) _____ Check ok JDM/TSP 7.1v Counter (1) 50 (2) _____ <i>water in tube fixed @ 10:50</i>
7/11/19	5	10:01	Manual (1) 50 (2) _____ Check ok JDM/TSP 7.0v Counter (1) 50 (2) _____
7/12/19	6	07:53	Manual (1) 1 (2) _____ P/U ok JDM/TSP 6.3v Counter (1) 1 (2) _____

Sketch



*J. Myler*  
Field Person

STATE OF WASHINGTON - DEPARTMENT OF TRANSPORTATION  
TRIP SYSTEM  
15 MINUTE TRAFFIC COUNT SUMMARY

SR 005 R100138 MP 000.00 OFF SYSTEM ID. LEG 2 DIRECTION OF TRAFFIC SOUTHBOUND LANE ALL OF  
COUNT IDENTIFIER 19-001 COUNTER NUMBER 281673 DESCRIPTION: ON SR 5 SB OFF RAMP TO SR 501

07/08/19 MONDAY												PM HOURS											DAILY TOTAL		
AM HOURS																									
12	1	2	3	4	5	6	7	8	9	10	11	12	1	2	3	4	5	6	7	8	9	10	11	12	
1	2	3	4	5	6	7	8	9	10	11	12	1	2	3	4	5	6	7	8	9	10	11	12		
00-15												188	175	203	174	200	204	176	168	117	80	63	28	27	
15-30												190	196	230	201	166	176	194	136	119	60	51	38	29	
30-45												213	229	206	165	192	172	177	104	73	64	53	35	14	
45-00												282	250	224	227	231	164	191	129	93	65	50	26	21	
HOUR	-----																								
TOT												873	850	863	767	789	716	738	537	402	269	217	127	91	7239

AM PEAK HOUR 1100 TO 1200 VOLUME 873 AM TOTAL 873  
PM PEAK HOUR 1230 TO 0130 VOLUME 912 PM TOTAL 6366

07/09/19 TUESDAY												PM HOURS											DAILY TOTAL		
AM HOURS																									
12	1	2	3	4	5	6	7	8	9	10	11	12	1	2	3	4	5	6	7	8	9	10	11	12	
1	2	3	4	5	6	7	8	9	10	11	12	1	2	3	4	5	6	7	8	9	10	11	12		
00-15	11	5	9	8	15	26	78	71	297	256	206	218	220	230	186	198	201	178	3			1	2	1	
15-30	10	11	6	5	23	38	56	115	317	244	196	225	225	238	203	190	213	73			4	3	1		
30-45	8	6	10	15	18	72	41	136	307	258	189	229	231	238	228	207	194	2			1	2	2		
45-00	9	15	9	15	26	116	79	231	345	255	226	234	271	236	197	242	225	2			1		2	3	
HOUR	-----																								
TOT	38	37	34	43	82	252	254	553	1266	1013	817	906	947	942	814	837	833	255	3	2	6	6	5	5	9950

AM PEAK HOUR 0800 TO 0900 VOLUME 1266 AM TOTAL 5295  
PM PEAK HOUR 1245 TO 0145 VOLUME 977 PM TOTAL 4655

07/10/19 WEDNESDAY												PM HOURS											DAILY TOTAL		
AM HOURS																									
12	1	2	3	4	5	6	7	8	9	10	11	12	1	2	3	4	5	6	7	8	9	10	11	12	
1	2	3	4	5	6	7	8	9	10	11	12	1	2	3	4	5	6	7	8	9	10	11	12		
00-15			1	3	1		1		10	7	3	216	242	226	198	178	188	207	197	116	76	67	46	30	
15-30			1		2		1	5	11	3	2	242	217	240	207	210	212	221	158	115	72	68	51	25	
30-45				2	3	1	4	1	9	6	1	247	271	217	203	241	185	195	153	85	66	49	29	24	
45-00			2	1	1		9	11	7	115		309	296	253	224	267	209	249	123	106	53	37	35	15	
HOUR	-----																								
TOT			4	6	7	1	6	15	41	23	121	1014	1026	936	832	896	794	872	631	422	267	221	161	94	8390

HOLE IN THE TUBE

AM PEAK HOUR 1100 TO 1200 VOLUME 1014 AM TOTAL 1238  
PM PEAK HOUR 1230 TO 0130 VOLUME 1033 PM TOTAL 7152

STATE OF WASHINGTON - DEPARTMENT OF TRANSPORTATION  
TRIP SYSTEM  
15 MINUTE TRAFFIC COUNT SUMMARY

SR 005 R100138 MP 000.00 OFF SYSTEM ID. LEG 2 DIRECTION OF TRAFFIC SOUTHBOUND LANE ALL OF

COUNT IDENTIFIER 19-001 COUNTER NUMBER 281673 DESCRIPTION: ON SR 5 SB OFF RAMP TO SR 501

07/11/19 THURSDAY		AM HOURS											PM HOURS											DAILY TOTAL	
12	1	2	3	4	5	6	7	8	9	10	11	12	1	2	3	4	5	6	7	8	9	10	11	12	
00-15	16	10	5	7	12	18	85	60	247	261	206	216	211	268	237	159	209	253	253	144	86	60	53	36	
15-30	5	8	13	8	11	52	72	86	295	237	194	252	236	247	213	233	241	302	223	141	82	86	44	34	
30-45	8	8	8	17	23	60	58	99	300	274	213	236	252	203	196	229	235	278	192	119	75	71	38	38	
45-00	9	15	9	16	27	128	65	237	372	283	279	281	286	247	259	246	250	232	199	85	96	65	49	27	
TOT	38	41	35	48	73	258	280	482	1214	1055	892	985	985	965	905	867	935	1065	867	489	339	282	184	135	13419

AM PEAK HOUR 0815 TO 0915 VOLUME 1228 AM TOTAL 5401  
PM PEAK HOUR 0445 TO 0545 VOLUME 1083 PM TOTAL 8018

07/12/19 FRIDAY		AM HOURS											PM HOURS											DAILY TOTAL	
12	1	2	3	4	5	6	7	8	9	10	11	12	1	2	3	4	5	6	7	8	9	10	11	12	
00-15	27	14	10	13	14	29	87	153																	
15-30	24	12	10	14	15	47	86	266																	
30-45	16	7	14	8	26	73	158	292																	
45-00	12	8	8	12	32	106	180																		
TOT	79	41	42	47	87	255	511	711																	1773

COUNT HIGH AM PEAK HOUR 0645 TO 0745 VOLUME 891 AM TOTAL 1773  
PM PEAK HOUR 0000 TO 0000 VOLUME 0 PM TOTAL 0

07/08/19 THRU 07/12/19  
TOTAL HOURS FOR COUNT 91

2 DAYS 12933 FACTOR GROUP P5S 1286 FACTOR GROUP P5S 11170  
AVG WEEKDAY VOL 10586 X SEASONAL ADJ. FACTOR 0.9500 = 10057 X AXLE CORR FACTOR 0.9092 = ESTIMATED AVG DAILY TRAFFIC 9144

PEAK HOUR PERCENTAGES: K = 11.96 D = 100.00  
PEAK HOUR LOCATION : VOLUME = 1266 DATE: 07/09/19 TIME: 08:00 AM



*RU*

Interval  60 min.  15 min.  
 Binned(CL/SP)  Count(volume)  
Lane No  1  2

---

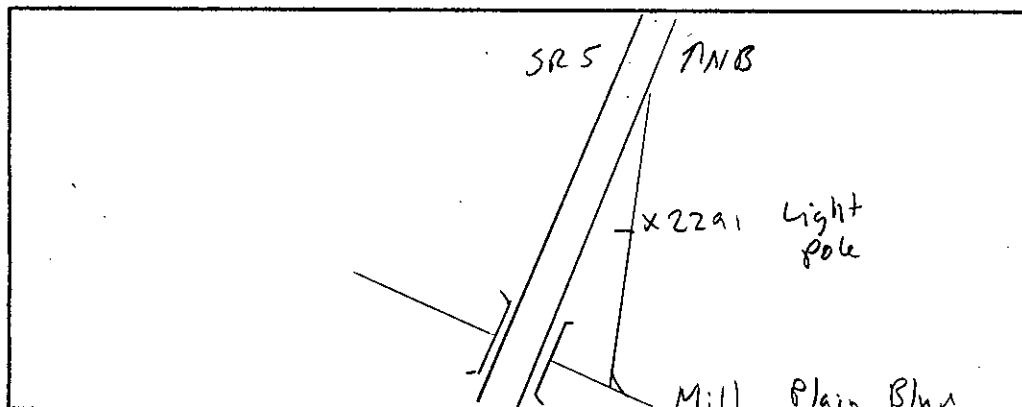
Direction Channel 1 \_\_\_\_\_  
Direction Channel 2 \_\_\_\_\_  
Unique ID# \_\_\_\_\_

Counter No. 282291 Count ID 19-001  
SR 5 RRT/RRQ Q1 00132 MP 0.01  
Leg 2 Direction NB OSID \_\_\_\_\_

Station Description ON SR 5 NB on ramp from Mill Plain Blvd

Date	Day	Time	Comments			
7/8/19	2	<i>12:32</i> <i>42:25</i>	Manual (1) <u>10</u> (2) _____ Counter (1) <u>10</u> (2) _____	Set up ok	JDM/TPS	6.5v
7/9/19	3	11:12	Manual (1) <u>50</u> (2) _____ Counter (1) <u>50</u> (2) _____	Check ok	JDM/TSP	7.1v
7/10/19	4	11:58	Manual (1) <u>50</u> (2) _____ Counter (1) <u>50</u> (2) _____	Check ok	JDM/TSP	7.2v
7/11/19	5	<i>08 53</i>	Manual (1) <u>26</u> (2) _____ Counter (1) <u>26</u> (2) _____	Check ok	JDM/TSP	<i>7.0</i>
7/12/19	6	<i>07:57</i>	Manual (1) <u>1</u> (2) _____ Counter (1) <u>1</u> (2) _____	P/U ok	JDM/TSP	<i>6.5v</i>

Sketch



*J. Mueller*  
Field Person

STATE OF WASHINGTON - DEPARTMENT OF TRANSPORTATION  
TRIP SYSTEM  
15 MINUTE TRAFFIC COUNT SUMMARY

SR 005 Q100132 MP 000.01 OFF SYSTEM ID. LEG 2 DIRECTION OF TRAFFIC NORTHBOUND LANE ALL OF  
COUNT IDENTIFIER 19-001 COUNTER NUMBER 282291 DESCRIPTION: ON SR 5 NB ON RAMP FROM MILL PLAIN BLVD

07/08/19 MONDAY												PM HOURS											DAILY TOTAL		
AM HOURS																									
12	1	2	3	4	5	6	7	8	9	10	11	12	1	2	3	4	5	6	7	8	9	10	11	12	
1	2	3	4	5	6	7	8	9	10	11	12	1	2	3	4	5	6	7	8	9	10	11	12		
00-15													230	227	344	342	483	239	166	121	100	53	63		
15-30													206	247	243	365	451	225	138	126	96	54	50		
30-45													200	258	304	385	314	173	151	116	82	64	37		
45-00													228	203	235	265	353	276	172	122	119	82	46	18	
HOUR																									
TOT													228	839	967	1156	1445	1524	809	577	482	360	217	168	8772

AM PEAK HOUR 0000 TO 0000 VOLUME 0 AM TOTAL 0  
PM PEAK HOUR 0430 TO 0530 VOLUME 1672 PM TOTAL 8772

07/09/19 TUESDAY												PM HOURS											DAILY TOTAL		
AM HOURS																									
12	1	2	3	4	5	6	7	8	9	10	11	12	1	2	3	4	5	6	7	8	9	10	11	12	
1	2	3	4	5	6	7	8	9	10	11	12	1	2	3	4	5	6	7	8	9	10	11	12		
00-15	34	25	14	13	6	8	38	75	111	137	172	192	264	244	268	327	366	460	259	167	147	110	90	58	
15-30	18	11	14	10	14	29	43	86	107	147	168	211	237	215	263	264	374	417	231	171	130	86	54	40	
30-45	24	10	12	24	17	24	62	94	134	147	205	214	223	239	272	332	444	355	170	175	132	89	83	41	
45-00	19	12	19	6	17	41	73	105	140	151	215	230	245	224	227	302	395	334	201	158	126	68	55	25	
HOUR																									
TOT	95	58	59	53	54	102	216	360	492	582	760	847	969	922	1030	1225	1579	1566	861	671	535	353	282	164	13835

AM PEAK HOUR 1100 TO 1200 VOLUME 847 AM TOTAL 3678  
PM PEAK HOUR 0430 TO 0530 VOLUME 1716 PM TOTAL 10157

07/10/19 WEDNESDAY												PM HOURS											DAILY TOTAL		
AM HOURS																									
12	1	2	3	4	5	6	7	8	9	10	11	12	1	2	3	4	5	6	7	8	9	10	11	12	
1	2	3	4	5	6	7	8	9	10	11	12	1	2	3	4	5	6	7	8	9	10	11	12		
00-15	21	12	15	9	7	18	35	70	107	133	154	214	284	242	262	315	369	445	267	217	152	154	68	61	
15-30	19	15	10	6	12	22	48	75	121	140	158	223	261	267	249	285	346	432	212	157	150	68	73	42	
30-45	19	19	16	12	12	24	53	98	121	142	172	225	220	288	266	342	434	309	208	162	144	127	60	33	
45-00	11	12	15	16	11	37	78	91	118	166	209	241	221	273	243	320	404	286	180	129	138	72	62	27	
HOUR																									
TOT	70	58	56	43	42	101	214	334	467	581	693	903	986	1070	1020	1262	1553	1472	867	665	584	421	263	163	13888

AM PEAK HOUR 1100 TO 1200 VOLUME 903 AM TOTAL 3562  
PM PEAK HOUR 0430 TO 0530 VOLUME 1715 PM TOTAL 10326

STATE OF WASHINGTON - DEPARTMENT OF TRANSPORTATION  
TRIP SYSTEM  
15 MINUTE TRAFFIC COUNT SUMMARY

SR 005 Q100132 MP 000.01 OFF SYSTEM ID. LEG 2 DIRECTION OF TRAFFIC NORTHBOUND LANE ALL OF  
COUNT IDENTIFIER 19-001 COUNTER NUMBER 282291 DESCRIPTION: ON SR 5 NB ON RAMP FROM MILL PLAIN BLVD

07/11/19 THURSDAY												PM HOURS												DAILY TOTAL	
AM HOURS						PM HOURS						PM HOURS													
12	1	2	3	4	5	6	7	8	9	10	11	12	1	2	3	4	5	6	7	8	9	10	11		
1	2	3	4	5	6	7	8	9	10	11	12	1	2	3	4	5	6	7	8	9	10	11	12		
00-15	31	16	21	16	6	7	41	68	100	116	163	223	299	202	238	296	369	451	297	158	223	164	110	70	
15-30	26	19	9	15	10	25	41	88	133	148	160	231	248	231	221	301	365	419	217	179	220	132	85	47	
30-45	17	10	17	8	10	23	57	94	125	124	191	209	214	263	257	325	430	308	206	213	258	121	64	48	
45-00	19	10	11	14	15	33	61	109	137	158	213	253	253	227	266	336	384	276	166	167	274	107	71	31	
TOT	93	55	58	53	41	88	200	359	495	546	727	916	1014	923	982	1258	1548	1454	886	717	975	524	330	196	14438

AM PEAK HOUR 1100 TO 1200 VOLUME 916  
PM PEAK HOUR 0430 TO 0530 VOLUME 1684

COUNT HIGH AM TOTAL 3631  
PM TOTAL 10807

07/12/19 FRIDAY												PM HOURS												DAILY TOTAL
AM HOURS						PM HOURS						PM HOURS												
12	1	2	3	4	5	6	7	8	9	10	11	12	1	2	3	4	5	6	7	8	9	10	11	
1	2	3	4	5	6	7	8	9	10	11	12	1	2	3	4	5	6	7	8	9	10	11	12	
00-15	30	25	26	23	7	13	40																	
15-30	47	22	14	6	16	17	44																	
30-45	27	9	14	10	22	29	54																	
45-00	23	12	7	16	9	25	64																	
TOT	127	68	61	55	54	84	202																	651

AM PEAK HOUR 0600 TO 0700 VOLUME 202  
PM PEAK HOUR 0000 TO 0000 VOLUME 0

AM TOTAL 651  
PM TOTAL 0

07/08/19 THRU 07/12/19  
TOTAL HOURS FOR COUNT 90

2 / DAYS 13862 FACTOR GROUP P5S 13169 FACTOR GROUP P5S 11973  
AVG WEEKDAY VOL 14054 X SEASONAL ADJ. FACTOR 0.9500 = 13351 X AXLE CORR FACTOR 0.9092 = ESTIMATED AVG DAILY TRAFFIC 12139

PEAK HOUR PERCENTAGES: K = 12.21 D = 100.00  
PEAK HOUR LOCATION : VOLUME = 1716 DATE: 07/09/19 TIME: 04:30 PM



ONE DAY

RU

Interval  60 min.  15 min.  
 Binned(CL/SP)  Count(volume)  
Lane No  1  2

10F2

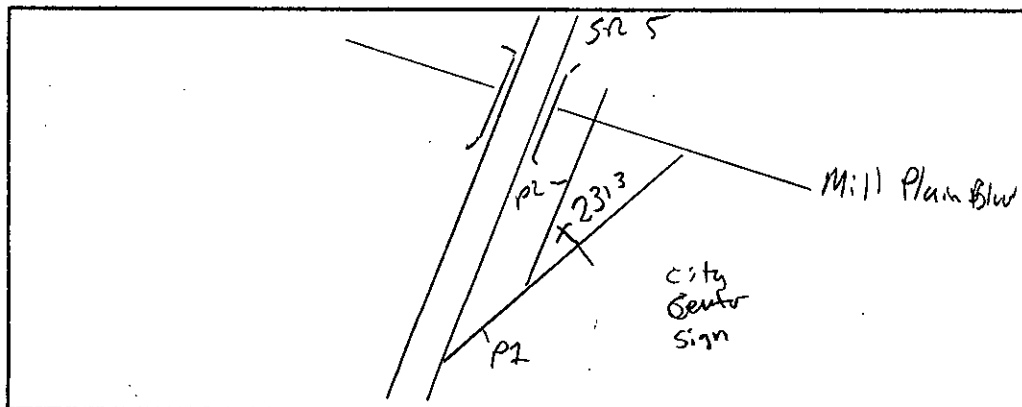
Direction Channel 1 \_\_\_\_\_  
Direction Channel 2 \_\_\_\_\_  
Unique ID# \_\_\_\_\_

Counter No. 282313 Count ID 19-001  
SR 5 RRT/RRQ P1 00078 MP 0.00  
~~MP -0.47~~  
Leg 2 Direction NB OSID \_\_\_\_\_

Station Description \_ ON SR 5 NB off ramp to Mill Plain Blvd / 4TH PLAIN BLVD

Date	Day	Time	Comments
7/8/19	2	12:25	Manual (1) 10 (2) _____ Set up ok JDM/TSP 6.5v Counter (1) 10 (2) _____
7/9/19	3	11:04	Manual (1) 28 (2) _____ Check ok JDM/TSP 7.1v Counter (1) 28 (2) _____
7/10/19	4	11:52	Manual (1) 50 (2) _____ Check ok JDM/TSP 6.9v Counter (1) 50 (2) _____ Night time ramp closure 1900-0500
7/11/19	5	08:46	Manual (1) 50 (2) _____ Check ok JDM/TSP 7.0 Counter (1) 50 (2) _____
7/12/19	6	07:03	Manual (1) 1 (2) _____ P/U ok JDM/TSP 6.6 Counter (1) 1 (2) _____

Sketch



S. Mylar  
Field Person



Interval  60 min.  15 min.  
 Binned(CL/SP)  Count(volume)  
Lane No  1  2

*2DF2*

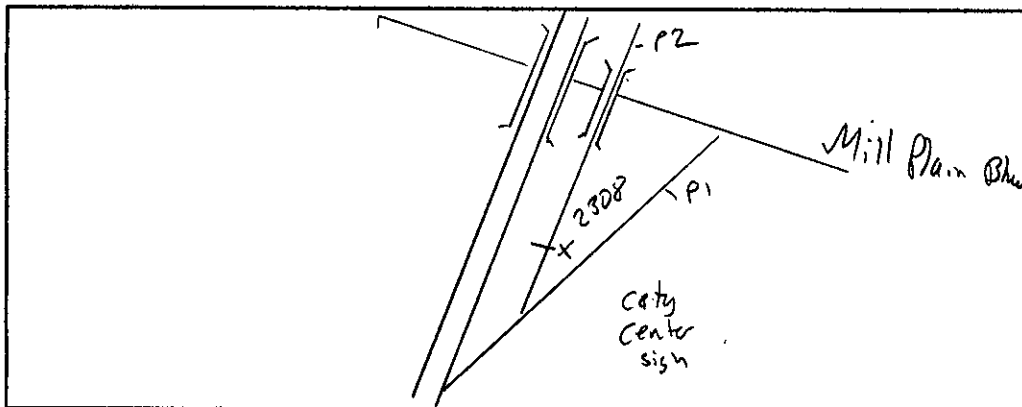
Direction Channel 1 \_\_\_\_\_  
Direction Channel 2 \_\_\_\_\_  
Unique ID# \_\_\_\_\_

Counter No. 282308 Count ID 19-001  
*PI*  
SR 5 RRT/RRQ PZ 00078 MP 0.00  
Leg 2 Direction NB OSID \_\_\_\_\_

Station Description ON SR 5 NB off ramp to Fourth Plain Blvd / MILL PLAIN BLVD

Date	Day	Time	Comments			
7/8/19	2	12:24	Manual (1) <u>10</u> (2) _____ Counter (1) <u>10</u> (2) _____	Set up ok	JDM/TPS	6.5v
7/9/19	3	11:05	Manual (1) <u>36</u> (2) _____ Counter (1) <u>36</u> (2) _____	Check ok	JDM/TSP	7.2v
7/10/19	4	11:52	Manual (1) <u>50</u> (2) _____ Counter (1) <u>50</u> (2) _____	Check ok	JDM/TSP	7.2v
7/11/19	5	<u>08:47</u>	Manual (1) <u>27</u> (2) _____ Counter (1) <u>27</u> (2) _____	Check ok	JDM/TSP	<u>7.1v</u>
7/12/19	6	<u>07:03</u>	Manual (1) <u>1</u> (2) _____ Counter (1) <u>1</u> (2) _____	P/U ok	JDM/TSP	<u>6.6</u>

Sketch



*J. Myler*  
Field Person



STATE OF WASHINGTON - DEPARTMENT OF TRANSPORTATION  
TRIP SYSTEM  
15 MINUTE TRAFFIC COUNT SUMMARY

SR 005 P100078 MP 000.00		OFF SYSTEM ID.		LEG 2		DIRECTION OF TRAFFIC NORTHBOUND										LANE 1		OF 2							
COUNT IDENTIFIER 19-001		COUNTER NUMBER 282313		DESCRIPTION: ON SR 5 NB OFF RAMP TO MILL PLAIN BLVD/4TH PLAIN BLVD																					
07/08/19 MONDAY												07/08/19 MONDAY												DAILY TOTAL	
AM HOURS						PM HOURS						PM HOURS													
12	1	2	3	4	5	6	7	8	9	10	11	12	1	2	3	4	5	6	7	8	9	10	11	12	
1	2	3	4	5	6	7	8	9	10	11	12	1	2	3	4	5	6	7	8	9	10	11	12		
00-15													147	132	143	129	134	96	108	64	66	69	37		
15-30													175	150	139	135	124	113	90	65	76	62	46		
30-45												161	136	167	119	121	133	124	87	63	66	53	44		
45-00												140	153	145	121	150	129	77	91	66	87	64	32		
HOUR	-----																								
TOT													301	611	594	522	535	520	410	376	258	295	248	159	4829

AM PEAK HOUR 0000 TO 0000 VOLUME 0 AM TOTAL 0  
PM PEAK HOUR 1230 TO 0130 VOLUME 623 PM TOTAL 4829

07/09/19 TUESDAY												07/09/19 TUESDAY												DAILY TOTAL	
AM HOURS						PM HOURS						PM HOURS													
12	1	2	3	4	5	6	7	8	9	10	11	12	1	2	3	4	5	6	7	8	9	10	11	12	
1	2	3	4	5	6	7	8	9	10	11	12	1	2	3	4	5	6	7	8	9	10	11	12		
00-15	39	22	17	16	11	28	128	180	161	118	98	112	143	154	129	122	125	133	126	103	92	46	39	24	
15-30	31	13	14	24	13	60	175	166	183	154	147	142	172	163	123	129	117	133	117	91	76	41	18	17	
30-45	25	14	15	26	24	78	199	157	166	135	164	137	168	148	144	129	124	114	100	75	76	37	14	19	
45-00	18	25	14	23	41	127	224	204	173	148	177	123	165	156	129	126	117	140	102	77	65	39	4	19	
HOUR	-----																								
TOT	113	74	60	89	89	293	726	707	683	555	586	514	648	621	525	506	483	520	445	346	309	163	75	79	9209

AM PEAK HOUR 0615 TO 0715 VOLUME 778 AM TOTAL 4489  
PM PEAK HOUR 1215 TO 0115 VOLUME 659 PM TOTAL 4720

07/10/19 WEDNESDAY												07/10/19 WEDNESDAY												DAILY TOTAL	
AM HOURS						PM HOURS						PM HOURS													
12	1	2	3	4	5	6	7	8	9	10	11	12	1	2	3	4	5	6	7	8	9	10	11	12	
1	2	3	4	5	6	7	8	9	10	11	12	1	2	3	4	5	6	7	8	9	10	11	12		
00-15	23	21	7	20	19	39	111	142	165	135	121	134	129	183	122	121	127	129	99	112	91	67	47	48	
15-30	27	19	12	18	22	64	162	175	173	138	171	153	140	148	131	130	123	143	110	81	78	56	45	28	
30-45	20	15	16	11	29	87	193	158	163	125	133	137	157	156	137	119	130	119	98	97	54	41	48	16	
45-00	5	12	8	23	42	126	216	197	181	159	168	151	142	140	148	109	136	113	93	83	72	66	35	19	
HOUR	-----																								
TOT	75	67	43	72	112	316	682	672	682	557	593	575	568	627	538	479	516	504	400	373	295	230	175	111	9262

RAMP CLOSURE

AM PEAK HOUR 0630 TO 0730 VOLUME 726 AM TOTAL 4446  
PM PEAK HOUR 1230 TO 0130 VOLUME 630 PM TOTAL 4816

STATE OF WASHINGTON - DEPARTMENT OF TRANSPORTATION  
 T R I P S S Y S T E M  
 15 MINUTE TRAFFIC COUNT SUMMARY

SR 005 P100078 MP 000.00		OFF SYSTEM ID.		LEG 2		DIRECTION OF TRAFFIC NORTHBOUND														LANE 1 OF 2						
COUNT IDENTIFIER 19-001		COUNTER NUMBER 282313		DESCRIPTION: ON SR 5 NB OFF RAMP TO MILL PLAIN BLVD/4TH PLAIN BLVD																						
07/11/19 THURSDAY		AM HOURS										PM HOURS										DAILY TOTAL				
	12	1	2	3	4	5	6	7	8	9	10	11	12	1	2	3	4	5	6	7	8	9	10	11	12	
00-15	26	24	14	12	20	41	120	146	146	145	152	151	143	147	144	108	98	140	112	93	87	93	74	62		
15-30	16	10	16	17	18	59	180	155	172	157	136	177	133	150	125	128	125	142	102	96	94	102	72	44		
30-45	12	14	17	13	20	89	207	156	116	75	130	168	138	137	132	104	124	117	97	87	100	98	62	47		
45-00	23	11	11	17	37	110	159	214	198	191	162	189	167	136	147	123	113	117	87	107	83	89	55	40		
HOUR	-----																									
TOT	77	59	58	59	95	299	666	671	632	568	580	685	581	570	548	463	460	516	398	383	364	382	263	193	9570	

RAMP CLOSURE

AM PEAK HOUR 0615 TO 0715 VOLUME 692 AM TOTAL 4449  
 PM PEAK HOUR 1230 TO 0130 VOLUME 602 PM TOTAL 5121

07/12/19 FRIDAY		AM HOURS										PM HOURS										DAILY TOTAL				
	12	1	2	3	4	5	6	7	8	9	10	11	12	1	2	3	4	5	6	7	8	9	10	11	12	
00-15	42	28	26	21	18	30	77																			
15-30	31	18	11	29	23	33	165																			
30-45	27	24	17	23	36	80	167																			
45-00	23	26	20	21	41	128	152																			
HOUR	-----																									
TOT	123	96	74	94	118	271	561																			1337

AM PEAK HOUR 0600 TO 0700 VOLUME 561 AM TOTAL 1337  
 PM PEAK HOUR 0000 TO 0000 VOLUME 0 PM TOTAL 0

STATE OF WASHINGTON - DEPARTMENT OF TRANSPORTATION  
TRIP SYSTEM  
15 MINUTE TRAFFIC COUNT SUMMARY

SR 005 P100078 MP 000.00 OFF SYSTEM ID. LEG 2 DIRECTION OF TRAFFIC NORTHBOUND LANE 2 OF 2

COUNT IDENTIFIER 19-001 COUNTER NUMBER 282308 \* DESCRIPTION: ON SR 5 NB OFF RAMP TO MILL PLAIN BLVD/4TH PLAIN BLVD

	AM HOURS											PM HOURS											DAILY TOTAL			
	12	1	2	3	4	5	6	7	8	9	10	11	12	1	2	3	4	5	6	7	8	9		10	11	
07/08/19 MONDAY	1	2	3	4	5	6	7	8	9	10	11	12	1	2	3	4	5	6	7	8	9	10	11			
00-15																134	132	143	138	153	160	140	93	81	81	57
15-30																120	123	129	155	129	136	121	98	75	76	48
30-45												133	146	132	141	145	178	139	96	108	105	65	37			
45-00												130	137	138	180	166	177	130	110	88	74	54	38			
HOUR	-----																									
TOT												263	537	525	593	604	637	565	467	387	335	276	180	5369		

AM PEAK HOUR 0000 TO 0000 VOLUME 0 AM TOTAL 0  
PM PEAK HOUR 0530 TO 0630 VOLUME 651 PM TOTAL 5369

	AM HOURS											PM HOURS											DAILY TOTAL		
	12	1	2	3	4	5	6	7	8	9	10	11	12	1	2	3	4	5	6	7	8	9		10	11
07/09/19 TUESDAY	1	2	3	4	5	6	7	8	9	10	11	12	1	2	3	4	5	6	7	8	9	10	11		
00-15	28	28	15	8	17	27	58	124	113	78	67	111	122	142	161	148	149	155	150	135	116	83	53	55	
15-30	35	22	11	11	18	39	69	121	119	76	118	120	138	120	128	149	138	166	128	125	102	94	96	44	
30-45	33	23	10	20	25	40	79	142	114	128	137	108	130	130	144	144	156	172	134	125	100	85	72	49	
45-00	24	21	18	9	23	55	80	135	102	105	148	134	145	147	167	165	153	137	129	110	111	75	74	38	
HOUR	-----																								
TOT	120	94	54	48	83	161	286	522	448	387	470	473	535	539	600	606	596	630	541	495	429	337	295	186	8935

AM PEAK HOUR 0700 TO 0800 VOLUME 522 AM TOTAL 3146  
PM PEAK HOUR 0445 TO 0545 VOLUME 646 PM TOTAL 5789

	AM HOURS											PM HOURS											DAILY TOTAL		
	12	1	2	3	4	5	6	7	8	9	10	11	12	1	2	3	4	5	6	7	8	9		10	11
07/10/19 WEDNESDAY	1	2	3	4	5	6	7	8	9	10	11	12	1	2	3	4	5	6	7	8	9	10	11		
00-15	31	30	19	18	12	29	56	138	104	100	94	116	124	141	141	154	154	133	145	128	134	87	92	52	
15-30	32	19	23	8	17	43	67	156	122	102	129	102	127	161	125	154	158	167	150	146	99	87	78	38	
30-45	27	15	11	8	22	45	86	125	102	93	113	111	127	106	151	152	142	163	159	126	102	83	74	34	
45-00	19	16	24	10	17	45	75	142	114	121	95	150	137	118	141	143	168	156	147	110	66	80	69	35	
HOUR	-----																								
TOT	109	80	77	44	68	162	284	561	442	416	431	479	515	526	558	603	622	619	601	510	401	337	313	159	8917

AM PEAK HOUR 0700 TO 0800 VOLUME 561 AM TOTAL 3153  
PM PEAK HOUR 0515 TO 0615 VOLUME 631 PM TOTAL 5764

STATE OF WASHINGTON - DEPARTMENT OF TRANSPORTATION  
T R I P S S Y S T E M  
15 MINUTE TRAFFIC COUNT SUMMARY

SR 005 P100078 MP 000.00		OFF SYSTEM ID.		LEG 2		DIRECTION OF TRAFFIC NORTHBOUND															LANE 2 OF 2										
COUNT IDENTIFIER 19-001		COUNTER NUMBER 282308 *		DESCRIPTION: ON SR 5 NB OFF RAMP TO MILL PLAIN BLVD/4TH PLAIN BLVD																											
07/11/19 THURSDAY												PM HOURS												DAILY							
AM HOURS																															
12	1	2	3	4	5	6	7	8	9	10	11	12	1	2	3	4	5	6	7	8	9	10	11	12	TOTAL						
1	2	3	4	5	6	7	8	9	10	11	12	1	2	3	4	5	6	7	8	9	10	11	12	TOTAL							
00-15	35	28	17	17	12	32	67	112	123	120	126	118	108	115	124	121	135	179	119	134	113	96	104	50							
15-30	28	22	13	10	17	28	78	110	106	102	109	125	128	133	143	147	152	147	124	135	112	131	93	39							
30-45	34	11	12	13	17	54	89	121	78	48	115	114	132	148	127	142	152	145	122	106	128	97	72	50							
45-00	28	15	14	11	29	49	81	153	103	127	123	133	132	159	137	134	162	145	117	131	130	87	68	48							
HOUR	-----																														
TOT	125	76	56	51	75	163	315	496	410	397	473	490	500	555	531	544	601	616	482	506	483	411	337	187	8880						

AM PEAK HOUR 0715 TO 0815 VOLUME 507 AM TOTAL 3127  
PM PEAK HOUR 0415 TO 0515 VOLUME 645 PM TOTAL 5753

07/12/19 FRIDAY												PM HOURS												DAILY	
AM HOURS																									
12	1	2	3	4	5	6	7	8	9	10	11	12	1	2	3	4	5	6	7	8	9	10	11	12	TOTAL
1	2	3	4	5	6	7	8	9	10	11	12	1	2	3	4	5	6	7	8	9	10	11	12	TOTAL	
00-15	35	35	20	16	13	30	45																		
15-30	31	23	14	11	19	27	70																		
30-45	40	15	22	8	29	37	84																		
45-00	23	22	18	19	18	49	74																		
HOUR	-----																								
TOT	129	95	74	54	79	143	273																	847	

AM PEAK HOUR 0600 TO 0700 VOLUME 273 AM TOTAL 847  
PM PEAK HOUR 0000 TO 0000 VOLUME 0 PM TOTAL 0

STATE OF WASHINGTON - DEPARTMENT OF TRANSPORTATION  
TRIP SYSTEM  
15 MINUTE TRAFFIC COUNT SUMMARY

SR 005 P100078 MP 000.00 OFF SYSTEM ID. LEG 2 DIRECTION OF TRAFFIC NORTHBOUND LANE 12 OF 2

COUNT IDENTIFIER 19-001 COUNTER NUMBER 282308 \* DESCRIPTION: ON SR 5 NB OFF RAMP TO MILL PLAIN BLVD/4TH PLAIN BLVD

07/08/19 MONDAY													PM HOURS											DAILY TOTAL	
AM HOURS																									
12	1	2	3	4	5	6	7	8	9	10	11	12	1	2	3	4	5	6	7	8	9	10	11	12	
1	2	3	4	5	6	7	8	9	10	11	12	1	2	3	4	5	6	7	8	9	10	11	12		
00-15													281	264	286	267	287	256	248	157	147	150	94		
15-30													295	273	268	290	253	249	211	163	151	138	94		
30-45												294	282	299	260	266	311	263	183	171	171	118	81		
45-00												270	290	283	301	316	306	207	201	154	161	118	70		
HOUR	-----																								
TOT													564	1148	1119	1115	1139	1157	975	843	645	630	524	339	10198

AM PEAK HOUR 0000 TO 0000 VOLUME 0 AM TOTAL 0  
PM PEAK HOUR 0445 TO 0545 VOLUME 1167 PM TOTAL 10198

07/09/19 TUESDAY													PM HOURS											DAILY TOTAL	
AM HOURS																									
12	1	2	3	4	5	6	7	8	9	10	11	12	1	2	3	4	5	6	7	8	9	10	11	12	
1	2	3	4	5	6	7	8	9	10	11	12	1	2	3	4	5	6	7	8	9	10	11	12		
00-15	67	50	32	24	28	55	186	304	274	196	165	223	265	296	290	270	274	288	276	238	208	129	92	79	
15-30	66	35	25	35	31	99	244	287	302	230	265	262	310	283	251	278	255	299	245	216	178	135	114	61	
30-45	58	37	25	46	49	118	278	299	280	263	301	245	298	278	288	273	280	286	234	200	176	122	86	68	
45-00	42	46	32	32	64	182	304	339	275	253	325	257	310	303	296	291	270	277	231	187	176	114	78	57	
HOUR	-----																								
TOT	233	168	114	137	172	454	1012	1229	1131	942	1056	987	1183	1160	1125	1112	1079	1150	986	841	738	500	370	265	18144

AM PEAK HOUR 0700 TO 0800 VOLUME 1229 AM TOTAL 7635  
PM PEAK HOUR 1215 TO 0115 VOLUME 1214 PM TOTAL 10509

07/10/19 WEDNESDAY													PM HOURS											DAILY TOTAL	
AM HOURS																									
12	1	2	3	4	5	6	7	8	9	10	11	12	1	2	3	4	5	6	7	8	9	10	11	12	
1	2	3	4	5	6	7	8	9	10	11	12	1	2	3	4	5	6	7	8	9	10	11	12		
00-15	54	51	26	38	31	68	167	280	269	235	215	250	253	324	263	275	281	262	244	240	225	154	139	100	
15-30	59	38	35	26	39	107	229	331	295	240	300	255	267	309	256	284	281	310	260	227	177	143	123	66	
30-45	47	30	27	19	51	132	279	283	265	218	246	248	284	262	288	271	272	282	257	223	156	124	122	50	
45-00	24	28	32	33	59	171	291	339	295	280	263	301	279	258	289	252	304	269	240	193	138	146	104	54	
HOUR	-----																								
TOT	184	147	120	116	180	478	966	1233	1124	973	1024	1054	1083	1153	1096	1082	1138	1123	1001	883	696	567	488	270	18179

AM PEAK HOUR 0700 TO 0800 VOLUME 1233 AM TOTAL 7599  
PM PEAK HOUR 1230 TO 0130 VOLUME 1196 PM TOTAL 10580

RAMP CLOSURE 10F2

RAMP CLOSURE 10F2

RAMP CLOSURE 10F2

STATE OF WASHINGTON - DEPARTMENT OF TRANSPORTATION  
TRIP SYSTEM  
15 MINUTE TRAFFIC COUNT SUMMARY

SR 005 P100078 MP 000.00 OFF SYSTEM ID. LEG 2 DIRECTION OF TRAFFIC NORTHBOUND LANE 12 OF 2  
COUNT IDENTIFIER 19-001 COUNTER NUMBER 282308 \* DESCRIPTION: ON SR 5 NB OFF RAMP TO MILL PLAIN BLVD/4TH PLAIN BLVD

07/11/19 THURSDAY												PM HOURS												DAILY TOTAL	
AM HOURS																									
12	1	2	3	4	5	6	7	8	9	10	11	12	1	2	3	4	5	6	7	8	9	10	11	12	
00-15	61	52	31	29	32	73	187	258	269	265	278	269	251	262	268	229	233	319	231	227	200	189	178	112	
15-30	44	32	29	27	35	87	258	265	278	259	245	302	261	283	268	275	277	289	226	231	206	233	165	83	
30-45	46	25	29	26	37	143	296	277	194	123	245	282	270	285	259	246	276	262	219	193	228	195	134	97	
45-00	51	26	25	28	66	159	240	367	301	318	285	322	299	295	284	257	275	262	204	238	213	176	123	88	
HOUR																									
TOT	202	135	114	110	170	462	981	1167	1042	965	1053	1175	1081	1125	1079	1007	1061	1132	880	889	847	793	600	380	18450

RAMP CLOSURE 10F2

AM PEAK HOUR 0730 TO 0830 VOLUME 1191  
PM PEAK HOUR 0430 TO 0530 VOLUME 1159

AM TOTAL 7576  
PM TOTAL 10874

07/12/19 FRIDAY												PM HOURS												DAILY TOTAL
AM HOURS																								
12	1	2	3	4	5	6	7	8	9	10	11	12	1	2	3	4	5	6	7	8	9	10	11	12
00-15	77	63	46	37	31	60	122																	
15-30	62	41	25	40	42	60	235																	
30-45	67	39	39	31	65	117	251																	
45-00	46	48	38	40	59	177	226																	
HOUR																								
TOT	252	191	148	148	197	414	834																	2184

AM PEAK HOUR 0600 TO 0700 VOLUME 834  
PM PEAK HOUR 0000 TO 0000 VOLUME 0

AM TOTAL 2184  
PM TOTAL 0

07/08/19 THRU 07/12/19  
TOTAL HOURS FOR COUNT 90

3 DAYS 18509 FACTOR GROUP P5S 17584 FACTOR GROUP P5S 15987  
AVG WEEKDAY VOL 18258 X SEASONAL ADJ. FACTOR 0.9500 = 17345 X AXLE CORR FACTOR 0.9092 = ESTIMATED AVG DAILY TRAFFIC 15770

PEAK HOUR PERCENTAGES: K = 6.66 D = 100.00  
PEAK HOUR LOCATION : VOLUME = 1233 DATE: 07/10/19 TIME: 07:00 AM

NOTE: ONE DAY



Washington State  
Department of Transportation

# ONE DAY Diamond Traffic Counter

*Ru*

Interval  60 min.  15 min.  
 Binned(CL/SP)  Count(volume)  
 Lane No  1  2

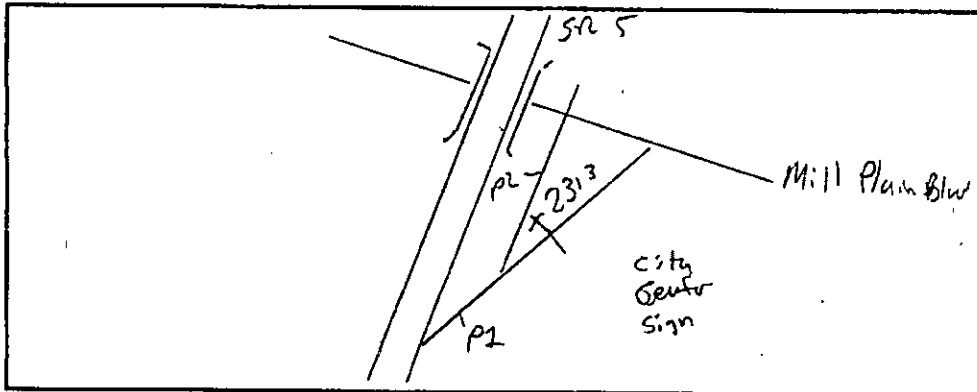
Direction Channel 1 \_\_\_\_\_  
 Direction Channel 2 \_\_\_\_\_  
 Unique ID# \_\_\_\_\_

Counter No. 282313 Count ID 19-001  
 SR 5 RRT/RRQ P1 00078 MP 0.17  
 Leg 2 Direction NB OSID \_\_\_\_\_

Station Description ON SR 5 NB off ramp to Mill Plain Blvd

Date	Day	Time	Comments			
7/8/19	2	12:25	Manual (1) 10 (2) _____ Counter (1) 10 (2)	Set up ok	JDM/TPS	6.5v
7/9/19	3	11:04	Manual (1) 28 (2) _____ Counter (1) 28 (2)	Check ok	JDM/TSP	7.1v
7/10/19	4	11:52	Manual (1) 50 (2) _____ Counter (1) 50 (2)	Check ok Night time ramp closure 1900-0500	JDM/TSP	6.9v
7/11/19	5	08:46	Manual (1) 50 (2) _____ Counter (1) 50 (2)	Check ok	JDM/TSP	7.0
7/12/19	6	07:03	Manual (1) 1 (2) _____ Counter (1) 1 (2)	P/U ok	JDM/TSP	6.9

Sketch



*S. Mylar*  
Field Person

STATE OF WASHINGTON - DEPARTMENT OF TRANSPORTATION  
TRIP SYSTEM  
15 MINUTE TRAFFIC COUNT SUMMARY

SR 005 P100078 MP 000.17 OFF SYSTEM ID. LEG 2 DIRECTION OF TRAFFIC NORTHBOUND LANE ALL OF  
COUNT IDENTIFIER 19-001 COUNTER NUMBER 282313 DESCRIPTION: ON SR 5 NB OFF RAMP TO MILL PLAIN BLVD

07/08/19 MONDAY												PM HOURS												DAILY TOTAL
AM HOURS																								
12	1	2	3	4	5	6	7	8	9	10	11	12	1	2	3	4	5	6	7	8	9	10	11	
1	2	3	4	5	6	7	8	9	10	11	12	1	2	3	4	5	6	7	8	9	10	11	12	
00-15												147	132	143	129	134	96	108	64	66	69	37		
15-30												175	150	139	135	124	113	90	65	76	62	46		
30-45												161	136	167	119	121	133	124	87	63	66	53		
45-00												140	153	145	121	150	129	77	91	66	87	64		
HOUR																								
TOT												301	611	594	522	535	520	410	376	258	295	248		

AM PEAK HOUR 0000 TO 0000 VOLUME 0 AM TOTAL 0  
PM PEAK HOUR 1230 TO 0130 VOLUME 623 PM TOTAL 4829

07/09/19 TUESDAY												PM HOURS												DAILY TOTAL
AM HOURS																								
12	1	2	3	4	5	6	7	8	9	10	11	12	1	2	3	4	5	6	7	8	9	10	11	
1	2	3	4	5	6	7	8	9	10	11	12	1	2	3	4	5	6	7	8	9	10	11	12	
00-15	39	22	17	16	11	28	128	180	161	118	98	112	143	154	129	122	125	133	126	103	92	46	39	
15-30	31	13	14	24	13	60	175	166	183	154	147	142	172	163	123	129	117	133	117	91	76	41	18	
30-45	25	14	15	26	24	78	199	157	166	135	164	137	168	148	144	129	124	114	100	75	76	37	14	
45-00	18	25	14	23	41	127	224	204	173	148	177	123	165	156	129	126	117	140	102	77	65	39	4	
HOUR																								
TOT	113	74	60	89	89	293	726	707	683	555	586	514	648	621	525	506	483	520	445	346	309	163	75	

AM PEAK HOUR 0615 TO 0715 VOLUME 778 AM TOTAL 4489  
PM PEAK HOUR 1215 TO 0115 VOLUME 659 PM TOTAL 4720

07/10/19 WEDNESDAY												PM HOURS												DAILY TOTAL
AM HOURS																								
12	1	2	3	4	5	6	7	8	9	10	11	12	1	2	3	4	5	6	7	8	9	10	11	
1	2	3	4	5	6	7	8	9	10	11	12	1	2	3	4	5	6	7	8	9	10	11	12	
00-15	23	21	7	20	19	39	111	142	165	135	121	134	129	183	122	121	127	129	99	112	91	67	47	
15-30	27	19	12	18	22	64	162	175	173	138	171	153	140	148	131	130	123	143	110	81	78	56	45	
30-45	20	15	16	11	29	87	193	158	163	125	133	137	157	156	137	119	130	119	98	97	54	41	48	
45-00	5	12	8	23	42	126	216	197	181	159	168	151	142	140	148	109	136	113	93	83	72	66	35	
HOUR																								
TOT	75	67	43	72	112	316	682	672	682	557	593	575	568	627	538	479	516	504	400	373	295	230	175	

RAMP CLOSURE

AM PEAK HOUR 0630 TO 0730 VOLUME 726 AM TOTAL 4446  
PM PEAK HOUR 1230 TO 0130 VOLUME 630 PM TOTAL 4816

RAMP CLOSURE

RAMP CLOSURE



STATE OF WASHINGTON - DEPARTMENT OF TRANSPORTATION  
TRIP SYSTEM  
15 MINUTE TRAFFIC COUNT SUMMARY

SR 005 P100078 MP 000.17 OFF SYSTEM ID. LEG 2 DIRECTION OF TRAFFIC NORTHBOUND LANE ALL OF  
COUNT IDENTIFIER 19-001 COUNTER NUMBER 282313 DESCRIPTION: ON SR 5 NB OFF RAMP TO MILL PLAIN BLVD

07/11/19 THURSDAY												PM HOURS												DAILY TOTAL	
AM HOURS																									
12	1	2	3	4	5	6	7	8	9	10	11	12	1	2	3	4	5	6	7	8	9	10	11	12	
00-15	26	24	14	12	20	41	120	146	146	145	152	151	143	147	144	108	98	140	112	93	87	93	74	62	
15-30	16	10	16	17	18	59	180	155	172	157	136	177	133	150	125	128	125	142	102	96	94	102	72	44	
30-45	12	14	17	13	20	89	207	156	116	75	130	168	138	137	132	104	124	117	97	87	100	98	62	47	
45-00	23	11	11	17	37	110	159	214	198	191	162	189	167	136	147	123	113	117	87	107	83	89	55	40	
HOUR	-----																								
TOT	77	59	58	59	95	299	666	671	632	568	580	685	581	570	548	463	460	516	398	383	364	382	263	193	9570

RAMP CLOSURE

AM PEAK HOUR 0615 TO 0715 VOLUME 692  
PM PEAK HOUR 1230 TO 0130 VOLUME 602

AM TOTAL 4449  
PM TOTAL 5121

07/12/19 FRIDAY												PM HOURS												DAILY TOTAL
AM HOURS																								
12	1	2	3	4	5	6	7	8	9	10	11	12	1	2	3	4	5	6	7	8	9	10	11	12
00-15	42	28	26	21	18	30	77																	
15-30	31	18	11	29	23	33	165																	
30-45	27	24	17	23	36	80	167																	
45-00	23	26	20	21	41	128	152																	
HOUR	-----																							
TOT	123	96	74	94	118	271	561																	1337

AM PEAK HOUR 0600 TO 0700 VOLUME 561  
PM PEAK HOUR 0000 TO 0000 VOLUME 0

AM TOTAL 1337  
PM TOTAL 0

07/08/19 THRU 07/12/19  
TOTAL HOURS FOR COUNT 90

1/3 DAYS 9610 FACTOR GROUP P5S 9130 FACTOR GROUP P5S 8301  
AVG WEEKDAY VOL 9347 X SEASONAL ADJ. FACTOR 0.9500 = 8880 X AXLE CORR FACTOR 0.9092 = ESTIMATED AVG DAILY TRAFFIC 8074

PEAK HOUR PERCENTAGES: K = 8.32 D = 100.00  
PEAK HOUR LOCATION : VOLUME = 778 DATE: 07/09/19 TIME: 06:15 AM

NOTE: ONE DAY



*RU*

Interval  60 min.  15 min.

Binned(CL/SP)  Count(volume)

Lane No  1  2

---

Direction Channel 1 \_\_\_\_\_

Direction Channel 2 \_\_\_\_\_

Unique ID# \_\_\_\_\_

Counter No. 282308 Count ID 19-001

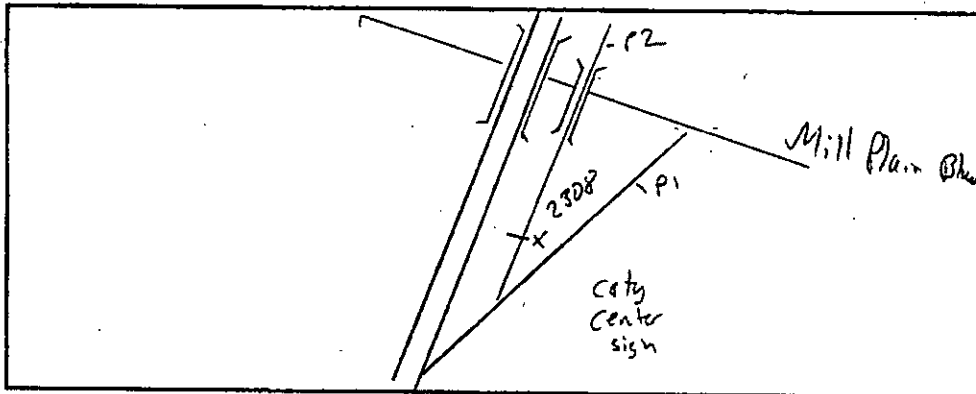
SR 5 RRT/RRQ P2 00078 MP 0.00

Leg 2 Direction NB OSID \_\_\_\_\_

Station Description \_ ON SR 5 NB off ramp to Fourth Plain Blvd

Date	Day	Time	Comments			
7/8/19	2	12:24	Manual (1) <u>10</u> (2) _____ Counter (1) <u>10</u> (2) _____	Set up ok	JDM/TPS	6.5v
7/9/19	3	11:05	Manual (1) <u>36</u> (2) _____ Counter (1) <u>36</u> (2) _____	Check ok	JDM/TSP	7.2v
7/10/19	4	11:52	Manual (1) <u>50</u> (2) _____ Counter (1) <u>50</u> (2) _____	Check ok	JDM/TSP	7.2v
7/11/19	5	<u>08:47</u>	Manual (1) <u>27</u> (2) _____ Counter (1) <u>27</u> (2) _____	Check ok	JDM/TSP	<u>7.1v</u>
7/12/19	6	<u>07:03</u>	Manual (1) <u>1</u> (2) _____ Counter (1) <u>1</u> (2) _____	P/U ok	JDM/TSP	<u>6.6</u>

Sketch



*J. Myler*  
Field Person

STATE OF WASHINGTON - DEPARTMENT OF TRANSPORTATION  
TRIPS SYSTEM  
15 MINUTE TRAFFIC COUNT SUMMARY

SR 005 P200078 MP/000.00 OFF SYSTEM ID. LEG 2 DIRECTION OF TRAFFIC NORTHBOUND LANE ALL OF  
COUNT IDENTIFIER 19-001 COUNTER NUMBER 282308 DESCRIPTION: ON SR 5 NB OFF RAMP TO 4TH PLAIN BLVD

07/08/19 MONDAY												PM HOURS											DAILY TOTAL		
AM HOURS																									
12	1	2	3	4	5	6	7	8	9	10	11	12	1	2	3	4	5	6	7	8	9	10	11	12	
1	2	3	4	5	6	7	8	9	10	11	12	1	2	3	4	5	6	7	8	9	10	11	12		
00-15													134	132	143	138	153	160	140	93	81	81	57		
15-30													120	123	129	155	129	136	121	98	75	76	48		
30-45												133	146	132	141	145	178	139	96	108	105	65	37		
45-00												130	137	138	180	166	177	130	110	88	74	54	38		
HOUR																									
TOT													263	537	525	593	604	637	565	467	387	335	276	180	5369

AM PEAK HOUR 0000 TO 0000 VOLUME 0 AM TOTAL 0  
PM PEAK HOUR 0530 TO 0630 VOLUME 651 PM TOTAL 5369

07/09/19 TUESDAY												PM HOURS											DAILY TOTAL		
AM HOURS																									
12	1	2	3	4	5	6	7	8	9	10	11	12	1	2	3	4	5	6	7	8	9	10	11	12	
1	2	3	4	5	6	7	8	9	10	11	12	1	2	3	4	5	6	7	8	9	10	11	12		
00-15	28	28	15	8	17	27	58	124	113	78	67	111	122	142	161	148	149	155	150	135	116	83	53	55	
15-30	35	22	11	11	18	39	69	121	119	76	118	120	138	120	128	149	138	166	128	125	102	94	96	44	
30-45	33	23	10	20	25	40	79	142	114	128	137	108	130	130	144	144	156	172	134	125	100	85	72	49	
45-00	24	21	18	9	23	55	80	135	102	105	148	134	145	147	167	165	153	137	129	110	111	75	74	38	
HOUR																									
TOT	120	94	54	48	83	161	286	522	448	387	470	473	535	539	600	606	596	630	541	495	429	337	295	186	8935

AM PEAK HOUR 0700 TO 0800 VOLUME 522 AM TOTAL 3146  
PM PEAK HOUR 0445 TO 0545 VOLUME 646 PM TOTAL 5789

07/10/19 WEDNESDAY												PM HOURS											DAILY TOTAL		
AM HOURS																									
12	1	2	3	4	5	6	7	8	9	10	11	12	1	2	3	4	5	6	7	8	9	10	11	12	
1	2	3	4	5	6	7	8	9	10	11	12	1	2	3	4	5	6	7	8	9	10	11	12		
00-15	31	30	19	18	12	29	56	138	104	100	94	116	124	141	141	154	154	133	145	128	134	87	92	52	
15-30	32	19	23	8	17	43	67	156	122	102	129	102	127	161	125	154	158	167	150	146	99	87	78	38	
30-45	27	15	11	8	22	45	86	125	102	93	113	111	127	106	151	152	142	163	159	126	102	83	74	34	
45-00	19	16	24	10	17	45	75	142	114	121	95	150	137	118	141	143	168	156	147	110	66	80	69	35	
HOUR																									
TOT	109	80	77	44	68	162	284	561	442	416	431	479	515	526	558	603	622	619	601	510	401	337	313	159	8917

AM PEAK HOUR 0700 TO 0800 VOLUME 561 AM TOTAL 3153  
PM PEAK HOUR 0515 TO 0615 VOLUME 631 PM TOTAL 5764

STATE OF WASHINGTON - DEPARTMENT OF TRANSPORTATION  
 TRIP SYSTEM  
 15 MINUTE TRAFFIC COUNT SUMMARY

SR 005 P200078 MP 000.00	OFF SYSTEM ID.	LEG 2	DIRECTION OF TRAFFIC	NORTHBOUND	LANE ALL	OF																			
COUNT IDENTIFIER 19-001	COUNTER NUMBER 282308	DESCRIPTION: ON SR 5 NB OFF RAMP TO 4TH PLAIN BLVD																							
07/11/19 THURSDAY												PM HOURS												DAILY	
AM HOURS																								TOTAL	
12	1	2	3	4	5	6	7	8	9	10	11	12	1	2	3	4	5	6	7	8	9	10	11	12	
1	2	3	4	5	6	7	8	9	10	11	12	1	2	3	4	5	6	7	8	9	10	11	12		
00-15	35	28	17	17	12	32	67	112	123	120	126	118	108	115	124	121	135	179	119	134	113	96	104	50	
15-30	28	22	13	10	17	28	78	110	106	102	109	125	128	133	143	147	152	147	124	135	112	131	93	39	
30-45	34	11	12	13	17	54	89	121	78	48	115	114	132	148	127	142	152	145	122	106	128	97	72	50	
45-00	28	15	14	11	29	49	81	153	103	127	123	133	132	159	137	134	162	145	117	131	130	87	68	48	
HOUR	-----																								
TOT	125	76	56	51	75	163	315	496	410	397	473	490	500	555	531	544	601	616	482	506	483	411	337	187	8880

AM PEAK HOUR 0715 TO 0815 VOLUME 507 AM TOTAL 3127  
 PM PEAK HOUR 0415 TO 0515 VOLUME 645 PM TOTAL 5753

07/12/19 FRIDAY												PM HOURS												DAILY	
AM HOURS																								TOTAL	
12	1	2	3	4	5	6	7	8	9	10	11	12	1	2	3	4	5	6	7	8	9	10	11	12	
1	2	3	4	5	6	7	8	9	10	11	12	1	2	3	4	5	6	7	8	9	10	11	12		
00-15	35	35	20	16	13	30	45																		
15-30	31	23	14	11	19	27	70																		
30-45	40	15	22	8	29	37	84																		
45-00	23	22	18	19	18	49	74																		
HOUR	-----																								
TOT	129	95	74	54	79	143	273																	847	

AM PEAK HOUR 0600 TO 0700 VOLUME 273 AM TOTAL 847  
 PM PEAK HOUR 0000 TO 0000 VOLUME 0 PM TOTAL 0

07/08/19 THRU 07/12/19  
 TOTAL HOURS FOR COUNT 90

3 DAYS FACTOR GROUP P5S FACTOR GROUP P5S  
 AVG WEEKDAY VOL 8911 X SEASONAL ADJ. FACTOR 0.9500 = 8465 X AXLE CORR FACTOR 0.9092 = ESTIMATED AVG DAILY TRAFFIC 7696

PEAK HOUR PERCENTAGES: K = 7.31 D = 100.00  
 PEAK HOUR LOCATION : VOLUME = 651 DATE: 07/08/19 TIME: 05:30 PM