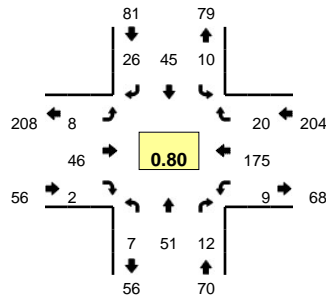
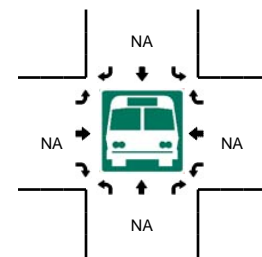
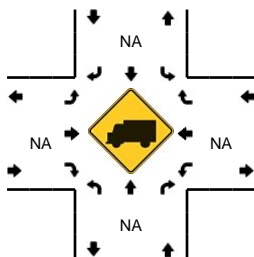
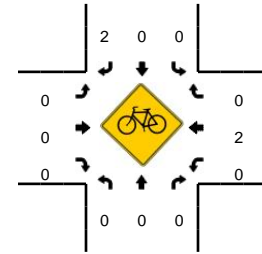
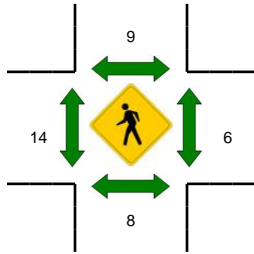
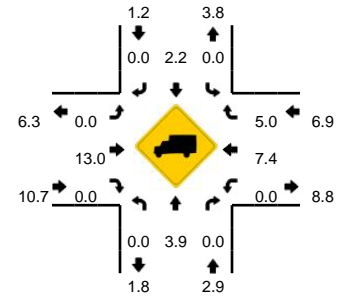


**LOCATION:** Main St -- W Evergreen Blvd  
**CITY/STATE:** Vancouver, WA

**QC JOB #:** 13418607  
**DATE:** Thu, Jun 11 2015



**Peak-Hour: 7:50 AM -- 8:50 AM**  
**Peak 15-Min: 7:50 AM -- 8:05 AM**



5-Min Count Period Beginning At	Main St (Northbound)				Main St (Southbound)				W Evergreen Blvd (Eastbound)				W Evergreen Blvd (Westbound)				Total	Hourly Totals
	Left	Thru	Right	U	Left	Thru	Right	U	Left	Thru	Right	U	Left	Thru	Right	U		
7:00 AM	0	1	0	0	0	4	1	0	0	5	0	0	1	8	1	0	21	
7:05 AM	0	2	0	0	3	3	0	0	0	3	2	0	0	16	0	0	29	
7:10 AM	1	2	0	0	1	4	1	0	0	3	0	0	0	15	2	0	29	
7:15 AM	0	3	0	0	1	2	1	0	0	2	0	0	1	13	0	0	23	
7:20 AM	0	3	1	0	0	5	1	0	0	3	0	0	1	15	1	0	30	
7:25 AM	0	3	0	0	1	3	1	0	0	2	0	0	1	11	2	0	24	
7:30 AM	1	2	0	0	1	4	0	0	0	4	0	0	0	16	1	0	29	
7:35 AM	0	5	0	0	2	1	1	0	0	5	0	0	0	12	0	0	26	
7:40 AM	1	2	0	0	0	1	1	0	0	3	1	0	0	18	3	0	30	
7:45 AM	0	5	1	0	3	5	2	0	0	5	0	0	0	13	1	0	35	
7:50 AM	0	7	1	0	3	5	6	0	0	8	0	0	1	18	0	0	49	
7:55 AM	2	2	0	0	0	4	2	0	2	1	0	0	0	19	1	0	33	358
8:00 AM	0	2	3	0	2	6	1	0	0	4	0	0	0	27	1	0	46	383
8:05 AM	0	4	2	0	1	1	1	0	0	5	0	0	0	14	0	0	28	382
8:10 AM	0	4	0	0	0	0	2	0	2	3	0	0	2	5	0	0	18	371
8:15 AM	1	6	1	0	1	6	4	0	1	0	0	0	0	7	2	0	29	377
8:20 AM	0	4	1	0	0	4	3	0	2	1	0	0	2	11	4	0	32	379
8:25 AM	1	6	1	0	0	0	1	0	0	3	1	0	1	13	1	0	28	383
8:30 AM	0	6	2	0	0	6	2	0	0	4	1	0	1	16	5	0	43	397
8:35 AM	1	1	1	0	2	1	2	0	0	8	0	0	0	10	1	0	27	398
8:40 AM	0	5	0	0	0	4	2	0	1	4	0	0	0	14	3	0	33	401
8:45 AM	2	4	0	0	1	8	0	0	0	5	0	0	2	21	2	0	45	411
8:50 AM	0	1	1	0	1	7	3	0	1	1	0	0	2	20	5	0	42	404
8:55 AM	1	2	0	0	4	5	3	0	2	4	0	0	0	15	1	0	37	408
Peak 15-Min Flowrates	Northbound				Southbound				Eastbound				Westbound				Total	
	Left	Thru	Right	U	Left	Thru	Right	U	Left	Thru	Right	U	Left	Thru	Right	U		
All Vehicles	8	44	16	0	20	60	36	0	8	52	0	0	4	256	8	0	512	
Heavy Trucks	0	0	0	0	0	0	0	0	0	4	0	0	0	20	0	0	24	
Pedestrians		16				0				8				4			28	
Bicycles	0	0	0	0	0	0	0	0	0	0	0	0	0	0	0	0	0	
Railroad																	0	
Stopped Buses																		

Comments: N/A