

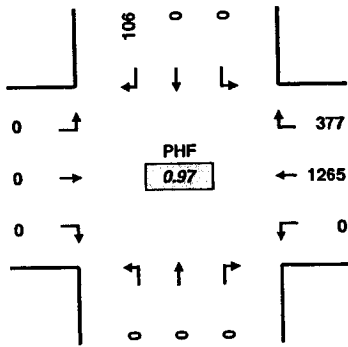
INTERSECTION: NE 6th Ave--NE 78th St--
 PROJECT ID#: 5605
 QC JOB #: 10102709

START TIME: 4:00 PM
 END TIME: 6:00 PM
 DATE: 7/12/2005

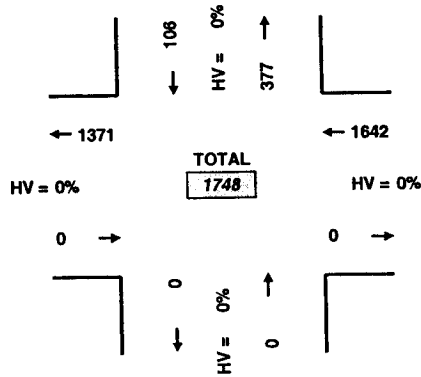


QUALITY COUNTS
 16285 SW 85th Avenue, Ste. 105
 Tigard, OR 97224
 Phone: 503-620-4242
 Fax: 503 620-4545
 email: jrw@qualitycounts.net
 www.qualitycounts.net

PEAK HOUR TURNING MOVEMENTS



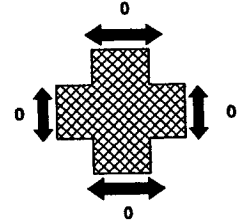
PEAK HOUR LINK VOLUMES



PEAK HOUR: 4:45 PM TO 5:45 PM

PEAK 15 MINUTES: 4:45 PM TO 5:00 PM

PEAK HOUR PED CROSSING VOLUMES



5-MINUTE COUNT PERIOD BEGINNING AT	NE 6th Ave-- (Southbound)			NE 78th St-- (Westbound)			N/A-- (Northbound)			NE 78th St-- (Eastbound)			Crosswalk Usage (Peds By Approach)				TOTAL	
	Right	Thru	Left	Right	Thru	Left	Right	Thru	Left	Right	Thru	Left	North	East	South	West	Veh	Peds
4:00 PM	10	0	0	27	81	0	0	0	0	0	0	0	0	0	0	0	118	0
4:05 PM	14	0	0	42	103	0	0	0	0	0	0	0	0	0	0	0	159	0
4:10 PM	9	0	0	31	69	0	0	0	0	0	0	0	0	0	0	0	109	0
4:15 PM	8	0	0	27	105	0	0	0	0	0	0	0	0	0	0	0	140	0
4:20 PM	7	0	0	32	91	0	0	0	0	0	0	0	0	0	0	0	130	0
4:25 PM	5	0	0	34	94	0	0	0	0	0	0	0	0	0	0	0	133	0
4:30 PM	6	0	0	25	84	0	0	0	0	0	0	0	0	0	0	0	115	0
4:35 PM	12	0	0	20	97	0	0	0	0	0	0	0	0	0	0	0	129	0
4:40 PM	8	0	0	31	93	0	0	0	0	0	0	0	0	0	0	0	130	0
4:45 PM	8	0	0	35	121	0	0	0	0	0	0	0	0	0	0	0	162	0
4:50 PM	10	0	0	34	93	0	0	0	0	0	0	0	0	0	0	0	137	0
4:55 PM	5	0	0	26	119	0	0	0	0	0	0	0	0	0	0	0	150	0
5:00 PM	11	0	0	38	97	0	0	0	0	0	0	0	0	0	0	0	146	0
5:05 PM	11	0	0	31	108	0	0	0	0	0	0	0	0	0	0	0	150	0
5:10 PM	11	0	0	28	113	0	0	0	0	0	0	0	0	0	0	0	152	0
5:15 PM	4	0	0	23	105	0	0	0	0	0	0	0	0	0	0	0	132	0
5:20 PM	10	0	0	34	108	0	0	0	0	0	0	0	0	0	0	0	152	0
5:25 PM	14	0	0	36	98	0	0	0	0	0	0	0	0	0	0	0	148	0
5:30 PM	11	0	0	27	98	0	0	0	0	0	0	0	0	0	0	0	136	0
5:35 PM	7	0	0	29	97	0	0	0	0	0	0	0	0	0	0	0	133	0
5:40 PM	6	0	0	36	108	0	0	0	0	0	0	0	0	0	0	0	150	0
5:45 PM	7	0	0	27	99	0	0	0	0	0	0	0	0	0	0	0	133	0
5:50 PM	9	0	0	22	114	0	0	0	0	0	0	0	0	0	0	0	145	0
5:55 PM	5	0	0	19	98	0	0	0	0	0	0	0	0	0	0	0	120	0
HOURLY TOTALS	Southbound			Westbound			Northbound			Eastbound			Pedestrians By Approach				TOTAL	
	Right	Thru	Left	Right	Thru	Left	Right	Thru	Left	Right	Thru	Left	West	East	North	South	Veh	Peds
4:00 PM	98	0	0	364	1150	0	0	0	0	0	0	0	0	0	0	0	1612	0
4:15 PM	98	0	0	361	1215	0	0	0	0	0	0	0	0	0	0	0	1674	0
4:30 PM	106	0	0	361	1236	0	0	0	0	0	0	0	0	0	0	0	1703	0
4:45 PM	106	0	0	377	1265	0	0	0	0	0	0	0	0	0	0	0	1748	0
5:00 PM	106	0	0	350	1241	0	0	0	0	0	0	0	0	0	0	0	1697	0