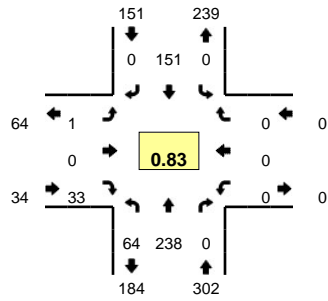
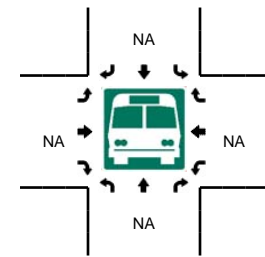
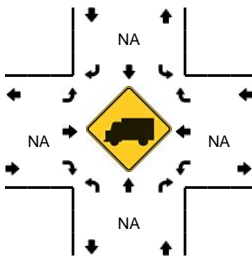
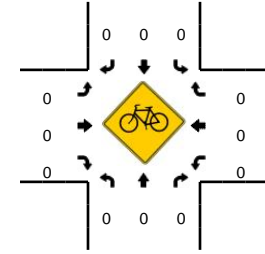
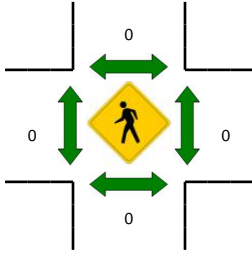
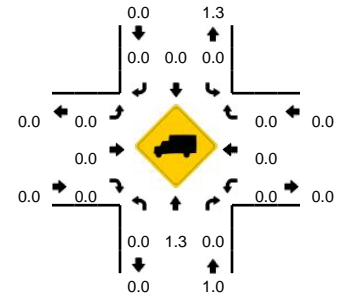


LOCATION: NE 94th Ave -- NE 99th St
CITY/STATE: Five Corners, WA

QC JOB #: 10874202
DATE: Wed, Jan 23 2013



Peak-Hour: 4:40 PM -- 5:40 PM
Peak 15-Min: 5:15 PM -- 5:30 PM



5-Min Count Period Beginning At	NE 94th Ave (Northbound)				NE 94th Ave (Southbound)				NE 99th St (Eastbound)				NE 99th St (Westbound)				Total	Hourly Totals
	Left	Thru	Right	U	Left	Thru	Right	U	Left	Thru	Right	U	Left	Thru	Right	U		
4:30 PM	2	16	0	0	0	14	0	0	0	0	2	0	0	0	0	0	34	
4:35 PM	4	13	0	0	0	13	1	0	0	0	0	0	0	0	0	0	31	
4:40 PM	1	11	0	0	0	14	0	0	1	0	3	0	0	0	0	0	30	
4:45 PM	6	29	0	0	0	9	0	0	0	0	3	0	0	0	0	0	47	
4:50 PM	4	20	0	0	0	15	0	0	0	0	3	0	0	0	0	0	42	
4:55 PM	3	22	0	0	0	10	0	0	0	0	2	0	0	0	0	0	37	
5:00 PM	6	14	0	0	0	6	0	0	0	0	5	0	0	0	0	0	31	
5:05 PM	6	18	0	0	0	7	0	0	0	0	1	0	0	0	0	0	32	
5:10 PM	3	20	0	0	0	17	0	0	0	0	1	0	0	0	0	0	41	
5:15 PM	7	29	0	0	0	13	0	0	0	0	2	0	0	0	0	0	51	
5:20 PM	10	25	0	0	0	13	0	0	0	0	3	0	0	0	0	0	51	
5:25 PM	7	16	0	0	0	18	0	0	0	0	4	0	0	0	0	0	45	472
5:30 PM	3	21	0	0	0	10	0	0	0	0	2	0	0	0	0	0	36	474
5:35 PM	8	13	0	0	0	19	0	0	0	0	4	0	0	0	0	0	44	487
5:40 PM	6	14	0	0	0	9	0	0	0	0	1	0	0	0	0	0	30	487
5:45 PM	4	23	0	0	0	5	0	0	0	0	1	0	0	0	0	0	33	473
5:50 PM	10	17	0	0	0	4	0	0	0	0	6	0	0	0	0	0	37	468
5:55 PM	8	15	0	0	0	6	0	0	0	0	3	0	0	0	0	0	32	463
6:00 PM	4	14	0	0	0	3	0	0	0	0	3	0	0	0	0	0	24	456
6:05 PM	3	9	0	0	0	9	0	0	1	0	0	0	0	0	0	0	22	446
6:10 PM	5	15	0	0	0	11	0	0	0	0	3	0	0	0	0	0	34	439
6:15 PM	3	14	0	0	0	11	0	0	0	0	2	0	0	0	0	0	30	418
6:20 PM	4	16	0	0	0	8	0	0	0	0	1	0	0	0	0	0	29	396
6:25 PM	3	12	0	0	0	12	1	0	0	0	4	0	0	0	0	0	32	383
Peak 15-Min Flowrates	Northbound				Southbound				Eastbound				Westbound				Total	
	Left	Thru	Right	U	Left	Thru	Right	U	Left	Thru	Right	U	Left	Thru	Right	U		
All Vehicles	96	280	0	0	0	176	0	0	0	0	36	0	0	0	0	0	588	
Heavy Trucks	0	0	0	0	0	0	0	0	0	0	0	0	0	0	0	0	0	
Pedestrians		0				0					0					0	0	
Bicycles	0	0	0		0	0	0		0	0	0		0	0	0		0	
Railroad																		
Stopped Buses																		

Comments: