

Ru

Interval 60 min. 15 min.
 Binned(CL/SP) Count(volume)
Lane No 1 2

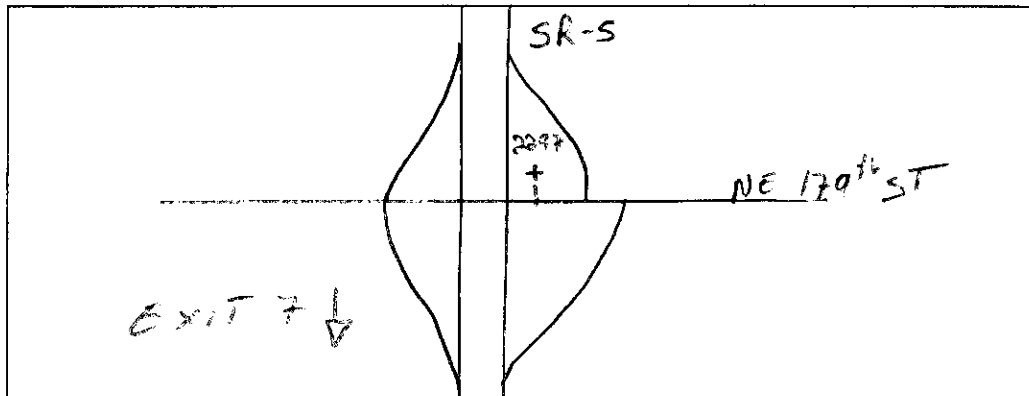
Direction Channel 1 _____
Direction Channel 2 _____
Data Hog # _____

Counter No. 032297 Count ID SP10-001
SR 005 RRT/RRQ LX 00951 MP 0.02
Leg 2 Direction WB OSID _____

Station Description _ ON NE 179TH ST E/O SR 5 SB RAMPS

Date	Day	Time	Comments
01/11/10	2	1141	Manual (1) <u>1</u> (2) _____ Counter (1) <u>1</u> (2) _____ SET CNTR OK DB/JDM 6.5
01/12	3	1010	Manual (1) <u>23</u> (2) _____ Counter (1) <u>23</u> (2) _____ CHECK CNTR OK 6.5
01/13	4	1022	Manual (1) <u>31</u> (2) _____ Counter (1) <u>31</u> (2) _____ CHECK CNTR OK 6.5
01/14	5	1226	Manual (1) <u>33</u> (2) _____ Counter (1) <u>33</u> (2) _____ CHECK CNTR OK 6.5
01/15	6	0928	Manual (1) <u>1</u> (2) _____ Counter (1) <u>1</u> (2) _____ P/U CNTR OK DB/JDM 6.4

Sketch



DB/JDM
Field Person

RU

Interval 60 min. 15 min.
 Binned(CL/SP) Count(volume)
Lane No 1 2

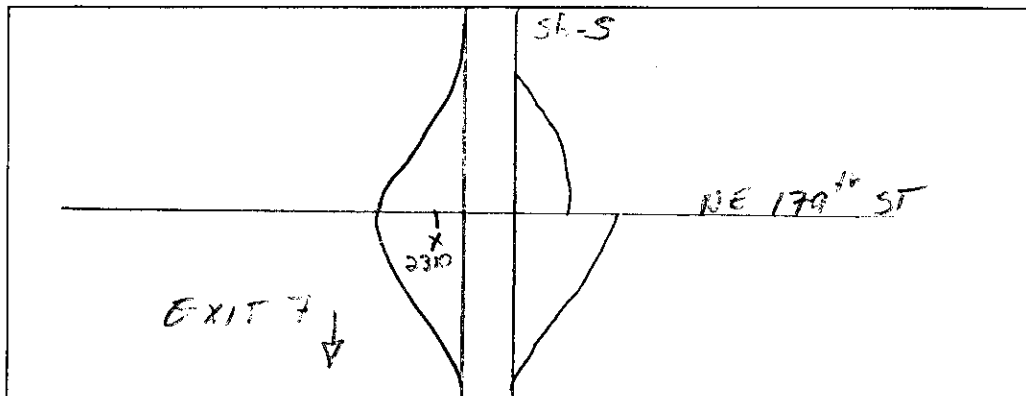
Direction Channel 1 _____
Direction Channel 2 _____
Data Hog # _____

Counter No. 032310 Count ID SP10-001
SR 005 RRT/RRQ LX 00951 MP 0.02
Leg 2 Direction EB OSID _____

Station Description _ ON NE 179TH ST E/O SR 5 SB RAMPS

Date	Day	Time	Comments
01/11/10	2	1144	Manual (1) <u>1</u> (2) _____ Counter (1) <u>1</u> (2) _____ SET CNTR OK DB/JDM 6.5
01/12	3	1016	Manual (1) <u>9</u> (2) _____ Counter (1) <u>9</u> (2) _____ CHECK CNTR OK 6.4
01/13	4	1027	Manual (1) <u>8</u> (2) _____ Counter (1) <u>8</u> (2) _____ CHECK CNTR OK 6.4
01/14	5	1231	Manual (1) <u>7</u> (2) _____ Counter (1) <u>7</u> (2) _____ CHECK CNTR OK 6.4
01/15	6	0932	Manual (1) <u>1</u> (2) _____ Counter (1) <u>1</u> (2) _____ P/U CNTR OK DB/JDM 6.4

Sketch



DB/JDM
Field Person

SR 005 LX00951 MP 000.02 OFF SYSTEM ID. LEG 2 DIRECTION OF TRAFFIC WESTBOUND LANE ALL OF

COUNT IDENTIFIER 10-001 COUNTER NUMBER 032297 DESCRIPTION: ON NE 179TH ST E/O SR 5 SB RAMPS

01/11/10 MONDAY		AM HOURS												PM HOURS												DAILY TOTAL	
12	1	2	3	4	5	6	7	8	9	10	11	12	1	2	3	4	5	6	7	8	9	10	11	12	TOT		
1	2	3	4	5	6	7	8	9	10	11	12	1	2	3	4	5	6	7	8	9	10	11	12	80			
80	84	90	92	136	120	92	81	47	30	29	9	6	88	60	42	40	13	11	8	49	32	25	8	3616			
AM PEAK HOUR 0000 TO 0000 VOLUME 0												PM PEAK HOUR 0445 TO 0545 VOLUME 495												AM TOTAL 80		PM TOTAL 3536	

01/12/10 TUESDAY		AM HOURS												PM HOURS												DAILY TOTAL	
12	1	2	3	4	5	6	7	8	9	10	11	12	1	2	3	4	5	6	7	8	9	10	11	12	TOT		
1	2	3	4	5	6	7	8	9	10	11	12	1	2	3	4	5	6	7	8	9	10	11	12	53			
22	16	18	22	53	215	350	473	443	326	316	318	354	346	379	399	501	492	325	225	170	154	84	53	6054			
AM PEAK HOUR 0700 TO 0800 VOLUME 473												PM PEAK HOUR 0445 TO 0545 VOLUME 526												AM TOTAL 2572		PM TOTAL 3482	

01/13/10 WEDNESDAY		AM HOURS												PM HOURS												DAILY TOTAL	
12	1	2	3	4	5	6	7	8	9	10	11	12	1	2	3	4	5	6	7	8	9	10	11	12	TOT		
1	2	3	4	5	6	7	8	9	10	11	12	1	2	3	4	5	6	7	8	9	10	11	12	55			
39	20	23	25	58	188	348	479	487	348	317	351	322	378	401	460	442	486	384	259	161	149	83	55	6253			
AM PEAK HOUR 0730 TO 0830 VOLUME 508												PM PEAK HOUR 0500 TO 0600 VOLUME 486												AM TOTAL 2683		PM TOTAL 3580	

SR 005 LX00951 MP 000.02 OFF SYSTEM ID. LEG 2 DIRECTION OF TRAFFIC WESTBOUND LANE ALL OF

COUNT IDENTIFIER 10-001 COUNTER NUMBER 032297 DESCRIPTION: ON NE 179TH ST E/O SR 5 SB RAMP

01/14/10 THURSDAY	AM HOURS												PM HOURS												DAILY TOTAL	
	1	2	3	4	5	6	7	8	9	10	11	12	1	2	3	4	5	6	7	8	9	10	11	12		
12	1	2	3	4	5	6	7	8	9	10	11	12	1	2	3	4	5	6	7	8	9	10	11	12	164	
1	2	3	4	5	6	7	8	9	10	11	12	1	2	3	4	5	6	7	8	9	10	11	12	82		
																									55	
TOT	31	12	27	24	64	174	327	458	472	342	392	387	394	425	411	543	493	521	429	227	205	164	82	55	6659	
			</																							

SR 005 LX00951 MP 000.02 OFF SYSTEM ID. LEG 2 DIRECTION OF TRAFFIC EASTBOUND LANE ALL OF
COUNT IDENTIFIER 10-001 COUNTER NUMBER 032310 DESCRIPTION: ON NE 179TH ST E/O SR 5 SB RAMPS

01/11/10 MONDAY	AM HOURS												PM HOURS												DAILY TOTAL
	12	1	2	3	4	5	6	7	8	9	10	11	12	1	2	3	4	5	6	7	8	9	10	11	
12	1	2	3	4	5	6	7	8	9	10	11	12	1	2	3	4	5	6	7	8	9	10	11	12	1305
TOT	30												30												1305

AM PEAK HOUR 0000 TO 0000 VOLUME 0
PM PEAK HOUR 0430 TO 0530 VOLUME 193

AM TOTAL 30
PM TOTAL 1275

01/12/10 TUESDAY	AM HOURS												PM HOURS												DAILY TOTAL
	12	1	2	3	4	5	6	7	8	9	10	11	12	1	2	3	4	5	6	7	8	9	10	11	
12	1	2	3	4	5	6	7	8	9	10	11	12	1	2	3	4	5	6	7	8	9	10	11	12	2099
TOT	164												181												2099

AM PEAK HOUR 0730 TO 0830 VOLUME 181
PM PEAK HOUR 0500 TO 0600 VOLUME 198

AM TOTAL 851
PM TOTAL 1248

01/13/10 WEDNESDAY	AM HOURS												PM HOURS												DAILY TOTAL
	12	1	2	3	4	5	6	7	8	9	10	11	12	1	2	3	4	5	6	7	8	9	10	11	
12	1	2	3	4	5	6	7	8	9	10	11	12	1	2	3	4	5	6	7	8	9	10	11	12	2080
TOT	164												175												2080

AM PEAK HOUR 0815 TO 0915 VOLUME 175
PM PEAK HOUR 0330 TO 0430 VOLUME 189

AM TOTAL 836
PM TOTAL 1244

SR 005 LX00951 MP 000.02 OFF SYSTEM ID. LEG 2 DIRECTION OF TRAFFIC EASTBOUND LANE ALL OF
COUNT IDENTIFIER 10-001 COUNTER NUMBER 032310 DESCRIPTION: ON NE 179TH ST E/O SR 5 SB RAMPS

01/14/10 THURSDAY		AM HOURS												PM HOURS												DAILY TOTAL
COUNT	IDENTIFIER	1	2	3	4	5	6	7	8	9	10	11	12	1	2	3	4	5	6	7	8	9	10	11	12	TOTAL
12	1	2	3	4	5	6	7	8	9	10	11	12	1	2	3	4	5	6	7	8	9	10	11	12	466	
1	2	3	4	5	6	7	8	9	10	11	12	1	2	3	4	5	6	7	8	9	10	11	12	1371		
3	2	4	1	4	4	11	31	38	33	25	33	33	52	34	39	44	49	35	22	22	31	7	5	5	466	
1	1	1	3	2	5	17	32	26	22	20	20	31	38	42	45	53	37	31	23	11	15	8	1	1	466	
6	3	1	1	4	8	20	47	33	27	51	30	29	34	32	59	36	37	31	26	15	16	8	2	4	466	
2	3	3	2	5	15	26	47	41	36	27	40	38	39	39	54	46	51	35	16	15	8	6	4	4	466	
TOT	12	6	5	10	32	74	164	144	122	129	125	120	156	143	194	171	190	136	87	63	70	29	12	12	2206	

AM PEAK HOUR 0715 TO 0815 VOLUME 171
PM PEAK HOUR 0330 TO 0430 VOLUME 202

AM TOTAL 835
PM TOTAL 1371

01/15/10 FRIDAY		AM HOURS												PM HOURS												DAILY TOTAL
COUNT	IDENTIFIER	1	2	3	4	5	6	7	8	9	10	11	12	1	2	3	4	5	6	7	8	9	10	11	12	TOTAL
12	1	2	3	4	5	6	7	8	9	10	11	12	1	2	3	4	5	6	7	8	9	10	11	12	464	
1	2	3	4	5	6	7	8	9	10	11	12	1	2	3	4	5	6	7	8	9	10	11	12	1371		
3	1	4	1	5	3	8	30	35	34																464	
1	1	2	1	1	5	13	27	42	37																464	
1	1	2	3	1	4	21	46	25																	464	
4	2	2	1	4	9	21	39	25																	464	
TOT	9	6	4	10	21	63	142	127	71																464	

AM PEAK HOUR 0730 TO 0830 VOLUME 162
PM PEAK HOUR 0000 TO 0000 VOLUME 0

AM TOTAL 464
PM TOTAL 0

01/11/10 THRU 01/15/10
TOTAL HOURS FOR COUNT 93

3 DAYS
AVG WEEKDAY VOL 2128 X SEASONAL ADJ. FACTOR 1.0800 = 2298 X AXLE CORR FACTOR 0.8331 = ESTIMATED AVG DAILY TRAFFIC 1914

FACTOR GROUP R045
FACTOR GROUP CB-44

SR 005 LX00951 MP 000.02 OFF SYSTEM ID. LEG 2 DIRECTION OF TRAFFIC BOTH WAYS LANE ALL OF
 COUNT IDENTIFIER 10-001 COUNTER NUMBER 032310 DESCRIPTION: ON NE 179TH ST E/O SR 5 SB RAMPS

01/11/10 MONDAY	AM HOURS												PM HOURS												DAILY TOTAL									
	12	1	2	3	4	5	6	7	8	9	10	11	12	1	2	3	4	5	6	7	8	9	10	11		12								
12	1	2	3	4	5	6	7	8	9	10	11	12	1	2	3	4	5	6	7	8	9	10	11	12	110									
TOT	110												490												641	646	654	491	324	247	189	96	53	4921

AM PEAK HOUR 0000 TO 0000 VOLUME 0
 PM PEAK HOUR 0445 TO 0545 VOLUME 687
 AM TOTAL 110
 PM TOTAL 4811

01/12/10 TUESDAY	AM HOURS												PM HOURS												DAILY TOTAL																
	12	1	2	3	4	5	6	7	8	9	10	11	12	1	2	3	4	5	6	7	8	9	10	11		12															
12	1	2	3	4	5	6	7	8	9	10	11	12	1	2	3	4	5	6	7	8	9	10	11	12	649																
TOT	607												446												607	446	473	447	463	469	528	580	663	690	442	308	210	194	109	74	8153

AM PEAK HOUR 0715 TO 0815 VOLUME 649
 PM PEAK HOUR 0445 TO 0545 VOLUME 721
 AM TOTAL 3423
 PM TOTAL 4730

01/13/10 WEDNESDAY	AM HOURS												PM HOURS												DAILY TOTAL																
	12	1	2	3	4	5	6	7	8	9	10	11	12	1	2	3	4	5	6	7	8	9	10	11		12															
12	1	2	3	4	5	6	7	8	9	10	11	12	1	2	3	4	5	6	7	8	9	10	11	12	680																
TOT	651												474												651	474	449	477	429	508	536	633	624	654	503	347	222	189	108	71	8343

AM PEAK HOUR 0730 TO 0830 VOLUME 680
 PM PEAK HOUR 0445 TO 0545 VOLUME 655
 AM TOTAL 3519
 PM TOTAL 4824

SR 005 LX00951 MP 000.02 OFF SYSTEM ID. LEG 2 DIRECTION OF TRAFFIC BOTH WAYS LANE ALL OF
 COUNT IDENTIFIER 10-001 COUNTER NUMBER 032310 DESCRIPTION: ON NE 179TH ST E/O SR 5 SB RAMPS

01/14/10 THURSDAY	AM HOURS												PM HOURS												DAILY TOTAL
	1	2	3	4	5	6	7	8	9	10	11	12	1	2	3	4	5	6	7	8	9	10	11	12	
12	1	2	3	4	5	6	7	8	9	10	11	12	1	2	3	4	5	6	7	8	9	10	11	12	2074
TOT	43	18	32	34	76	206	401	622	616	464	521	512	514	581	554	737	664	711	565	314	268	234	111	67	8865

AM PEAK HOUR 0715 TO 0815 VOLUME 651 AM TOTAL 3545
 PM PEAK HOUR 0300 TO 0400 VOLUME 737 PM TOTAL 5320

01/15/10 FRIDAY	AM HOURS												PM HOURS												DAILY TOTAL
	1	2	3	4	5	6	7	8	9	10	11	12	1	2	3	4	5	6	7	8	9	10	11	12	
12	1	2	3	4	5	6	7	8	9	10	11	12	1	2	3	4	5	6	7	8	9	10	11	12	2074
TOT	40	30	25	34	76	189	364	570	596	150															2074

AM PEAK HOUR 0730 TO 0830 VOLUME 621 AM TOTAL 2074
 PM PEAK HOUR 0000 TO 0000 VOLUME 0 PM TOTAL 0

01/11/10 THRU 01/15/10
 TOTAL HOURS FOR COUNT 93
 3 DAYS
 AVG WEEKDAY VOL 8454 X SEASONAL ADJ. FACTOR 1.0800 = 9130 X AXLE CORR FACTOR 0.8331 = ESTIMATED AVG DAILY TRAFFIC 7606
 PEAK HOUR PERCENTAGES: K = 8.72 D = 73.68
 PEAK HOUR LOCATION : VOLUME = 737 DATE: 01/14/10 TIME: 03:00 PM

RU

Interval 60 min. 15 min.
 Binned(CL/SP) Count(volume)
Lane No 1 2

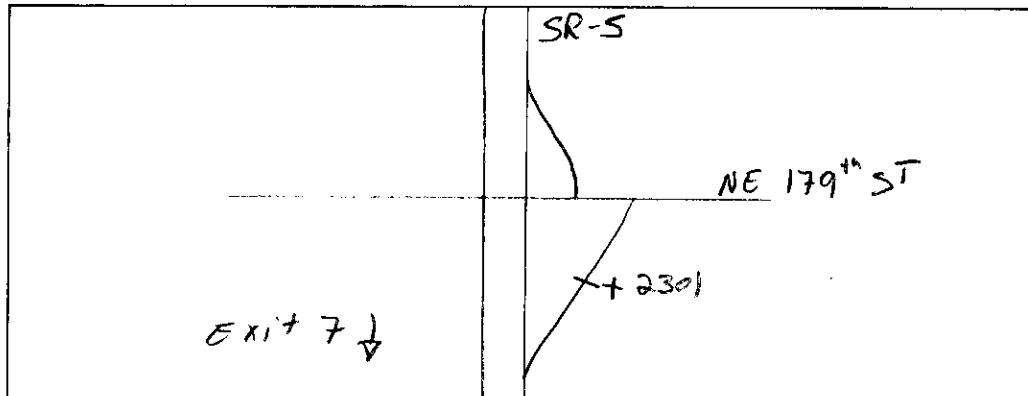
Direction Channel 1 _____
Direction Channel 2 _____
Data Hog # _____

Counter No. 032301 Count ID SP10-001
SR 005 RRT/RRQ P1 00891 MP 0.00
Leg 2 Direction NB OSID _____

Station Description _ ON SR 5 NB OFF RAMP TO NE 179TH ST

Date	Day	Time	Comments
01/11/10	2	1137	Manual (1) <u>1</u> (2) _____ Counter (1) <u>1</u> (2) _____ SET CNTR OK DB/JDM 6.5
01/12	3	1003	Manual (1) <u>22</u> (2) _____ Counter (1) <u>22</u> (2) _____ CHECK CNTR OK 6.6
01/13	4	1017	Manual (1) <u>6</u> (2) _____ Counter (1) <u>6</u> (2) _____ CHECK CNTR OK 6.6
01/14	5	1221	Manual (1) <u>33</u> (2) _____ Counter (1) <u>33</u> (2) _____ CHECK CNTR OK 6.8
01/15	6	0925	Manual (1) <u>1</u> (2) _____ Counter (1) <u>1</u> (2) _____ P/U CNTR OK DB/JDM 6.4

Sketch



DB / JDM
Field Person

SR 005 P100891 MP 000.00 OFF SYSTEM ID. LEG 2 DIRECTION OF TRAFFIC NORTHBOUND LANE ALL OF

COUNT IDENTIFIER 10-001 COUNTER NUMBER 032301 DESCRIPTION: ON SR 5 NB OFF RAMP TO NE 179TH ST

01/11/10 MONDAY	AM HOURS												PM HOURS												DAILY TOTAL
	12	1	2	3	4	5	6	7	8	9	10	11	12	1	2	3	4	5	6	7	8	9	10	11	
12	1	2	3	4	5	6	7	8	9	10	11	12	1	2	3	4	5	6	7	8	9	10	11	12	88
TOT	88												88												176

AM PEAK HOUR 0000 TO 0000 VOLUME 0 AM TOTAL 88
 PM PEAK HOUR 0445 TO 0545 VOLUME 779 PM TOTAL 4730

01/12/10 TUESDAY	AM HOURS												PM HOURS												DAILY TOTAL
	12	1	2	3	4	5	6	7	8	9	10	11	12	1	2	3	4	5	6	7	8	9	10	11	
12	1	2	3	4	5	6	7	8	9	10	11	12	1	2	3	4	5	6	7	8	9	10	11	12	44
TOT	44												44												88

AM PEAK HOUR 1100 TO 1200 VOLUME 293 AM TOTAL 1483
 PM PEAK HOUR 0430 TO 0530 VOLUME 774 PM TOTAL 4750

01/13/10 WEDNESDAY	AM HOURS												PM HOURS												DAILY TOTAL
	12	1	2	3	4	5	6	7	8	9	10	11	12	1	2	3	4	5	6	7	8	9	10	11	
12	1	2	3	4	5	6	7	8	9	10	11	12	1	2	3	4	5	6	7	8	9	10	11	12	49
TOT	49												49												98

AM PEAK HOUR 1045 TO 1145 VOLUME 299 AM TOTAL 1525
 PM PEAK HOUR 0445 TO 0545 VOLUME 717 PM TOTAL 4900

SR 005 P100891 MP 000.00 OFF SYSTEM ID. LEG 2 DIRECTION OF TRAFFIC NORTHBOUND LANE ALL OF

COUNT IDENTIFIER 10-001 COUNTER NUMBER 032301 DESCRIPTION: ON SR 5 NB OFF RAMP TO NE 179TH ST

01/14/10 THURSDAY	AM HOURS												PM HOURS												DAILY TOTAL
	1	2	3	4	5	6	7	8	9	10	11	12	1	2	3	4	5	6	7	8	9	10	11	12	
12	1	2	3	4	5	6	7	8	9	10	11	12	1	2	3	4	5	6	7	8	9	10	11	12	899
1	2	3	4	5	6	7	8	9	10	11	12	1	2	3	4	5	6	7	8	9	10	11	12	899	
15	3	5	5	6	4	16	40	66	61	72	54	94	119	109	157	140	199	119	102	76	70	51	25		
15-30	9	11	15	11	6	26	60	66	58	70	103	104	111	120	178	189	207	152	95	92	70	35	34		
30-45	12	3	2	3	9	17	48	76	64	76	101	100	118	126	152	183	206	122	74	57	29	25	25		
45-00	14	9	7	3	10	33	64	62	68	76	92	95	88	174	198	191	177	110	58	76	53	18	15		
TOT	50	26	29	22	31	17	92	212	270	251	294	350	393	436	529	685	703	789	503	329	301	249	133	99	
									AM PEAK HOUR 1100 TO 1200 VOLUME												AM TOTAL		1644		
									PM PEAK HOUR 0445 TO 0545 VOLUME												PM TOTAL		5149		

01/15/10 FRIDAY	AM HOURS												PM HOURS												DAILY TOTAL
	1	2	3	4	5	6	7	8	9	10	11	12	1	2	3	4	5	6	7	8	9	10	11	12	
12	1	2	3	4	5	6	7	8	9	10	11	12	1	2	3	4	5	6	7	8	9	10	11	12	899
1	2	3	4	5	6	7	8	9	10	11	12	1	2	3	4	5	6	7	8	9	10	11	12	899	
18	6	7	4	6	15	12	40	84	78																
15-30	16	9	12	7	1	4	25	43	68																
30-45	13	5	5	5	5	14	26	52	52																
45-00	11	16	8	14	6	18	37	87	87																
TOT	58	36	32	30	18	51	100	205	291	78															
									AM PEAK HOUR 0800 TO 0900 VOLUME												AM TOTAL		899		
									PM PEAK HOUR 0000 TO 0000 VOLUME												PM TOTAL		0		

01/11/10 THRU 01/15/10
TOTAL HOURS FOR COUNT 93

3 DAYS
AVG WEEKDAY VOL 6484 X SEASONAL ADJ. FACTOR 1.0000 = 6484 X AXLE CORR FACTOR 0.9095 = ESTIMATED AVG DAILY TRAFFIC 5897
PEAK HOUR PERCENTAGES: K = 12.38 D = 100.00
PEAK HOUR LOCATION : VOLUME = 803 DATE: 01/14/10 TIME: 04:45 PM

Ru

Interval 60 min. 15 min.
 Binned(CL/SP) Count(volume)
Lane No 1 2

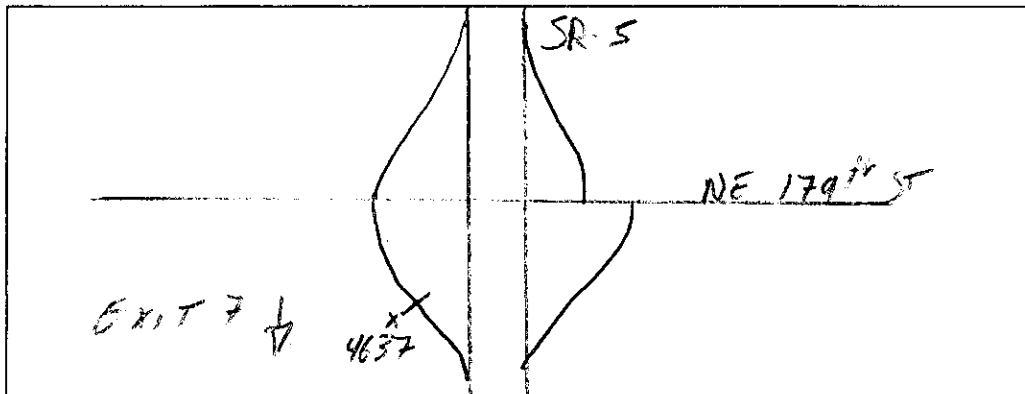
Direction Channel 1 _____
Direction Channel 2 _____
Data Hog # _____

Counter No. 034637 Count ID SP10-001
SR 005 RRT/RRQ S1 00917 MP 0.00
Leg 2 Direction SB OSID _____

Station Description ON SR 5 SB ON RAMP FROM NE 179TH ST

Date	Day	Time	Comments
01/11/10	2	1149	Manual (1) <u>1</u> (2) _____ Counter (1) <u>1</u> (2) _____ SET CNTR OK DB/JDM 6.4
01/12	3	1026	Manual (1) <u>17</u> (2) _____ Counter (1) <u>17</u> (2) _____ CHECK CNTR OK 6.4
01/13	4	1033	Manual (1) <u>25</u> (2) _____ Counter (1) <u>25</u> (2) _____ CHECK CNTR OK 6.4
01/14	5	1022	Manual (1) <u>23</u> (2) _____ Counter (1) <u>23</u> (2) _____ CHECK CNTR OK 6.7
01/15	6	0936	Manual (1) <u>1</u> (2) _____ Counter (1) <u>1</u> (2) _____ P/U CNTR OK DB/JDM 6.4

Sketch



DB / JDM
Field Person

SR 005 S100917 MP 000.00 OFF SYSTEM ID. LEG 2 DIRECTION OF TRAFFIC SOUTHBOUND LANE ALL OF

COUNT IDENTIFIER 10-001 COUNTER NUMBER 034637 DESCRIPTION: ON SR 5 SB ON RAMP FROM NE 179TH ST

01/11/10 MONDAY	AM HOURS												PM HOURS												DAILY TOTAL	
	1	2	3	4	5	6	7	8	9	10	11	12	1	2	3	4	5	6	7	8	9	10	11	12		
12	1	2	3	4	5	6	7	8	9	10	11	12	1	2	3	4	5	6	7	8	9	10	11	12	302	
1	2	3	4	5	6	7	8	9	10	11	12	1	2	3	4	5	6	7	8	9	10	11	12	302		
00-15																										
15-30																										
30-45																										
45-00																										
HOUR																										
TOT	24	14	18	31	77	242	479	623	574	413	369	393	317	349	378	404	364	407	291	185	121	102	57	31	6263	
				</																						

SR 005 S100917 MP 000.00

OFF SYSTEM ID.

LEG 2

DIRECTION OF TRAFFIC SOUTHBOUND

LANE ALL OF

COUNT IDENTIFIER 10-001

COUNTER NUMBER 034637

DESCRIPTION: ON SR 5 SB ON RAMP FROM NE 179TH ST

01/14/10 THURSDAY

AM HOURS

PM HOURS

DAILY TOTAL

12	1	2	3	4	5	6	7	8	9	10	11	12	TOTAL												
1	2	3	4	5	6	7	8	9	10	11	12														
6	4	8	2	11	46	98	154	170	114	88	96	82	89	79	121	117	107	95	54	33	38	13	12		
7	6	6	5	14	34	91	141	158	95	100	94	97	79	116	120	100	106	78	38	38	31	25	14		
7	2	5	5	18	66	131	163	158	117	106	105	103	106	124	128	138	100	84	43	26	35	13	16		
45-00	7	1	4	8	28	73	123	148	101	103	85	97	95	102	112	94	99	61	46	29	24	12	8		
TOT	27	13	23	24	71	219	443	603	634	427	397	380	379	369	421	481	449	412	318	181	126	128	63	50	6638
									AM PEAK HOUR 0730 TO 0830 VOLUME 636							PM PEAK HOUR 0300 TO 0400 VOLUME 481					AM TOTAL 3261		PM TOTAL 3377		

01/15/10 FRIDAY

AM HOURS

PM HOURS

DAILY TOTAL

12	1	2	3	4	5	6	7	8	9	10	11	12	TOTAL														
1	2	3	4	5	6	7	8	9	10	11	12																
7	3	5	5	22	41	68	144	132	137																		
6	7	6	5	14	36	93	130	140	115																		
30-45	5	5	7	19	59	131	171	153																			
45-00	5	6	8	22	62	122	130	135																			
TOT	23	21	26	28	77	198	414	575	560	252				AM PEAK HOUR 0700 TO 0800 VOLUME 575							PM PEAK HOUR 0000 TO 0000 VOLUME 0		AM TOTAL 2174		PM TOTAL 0		2174

01/11/10 THRU 01/15/10
TOTAL HOURS FOR COUNT 93

3 DAYS
 AVG WEEKDAY VOL 6347 X SEASONAL ADJ. FACTOR 1.0800 = 6855 X AXLE CORR FACTOR 0.8331 = ESTIMATED AVG DAILY TRAFFIC 5711
 PEAK HOUR PERCENTAGES: K = 10.02 D = 100.00
 PEAK HOUR LOCATION : VOLUME = 636 DATE: 01/14/10 TIME: 07:30 AM



Ru

Interval 60 min. 15 min.
 Binned(CL/SP) Count(volume)
Lane No 1 2

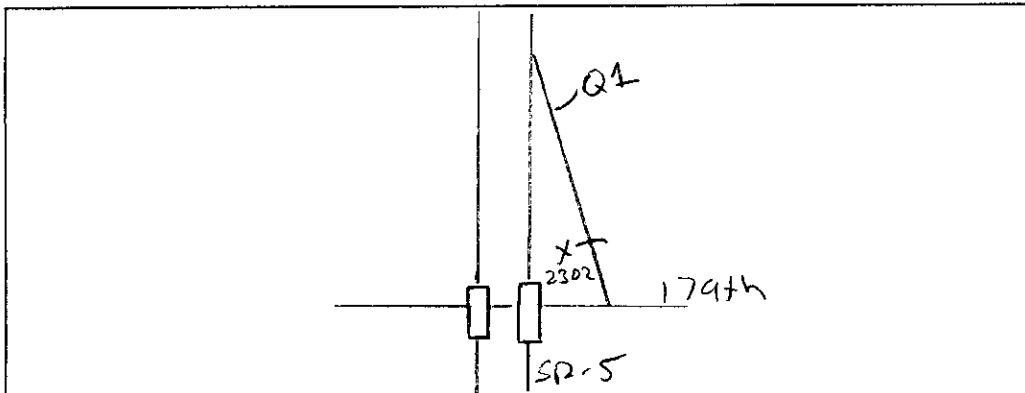
Direction Channel 1 _____
Direction Channel 2 _____
Data Hog # _____

Counter No. 0372302 Count ID 10-001
SR 5 RRT/RRQ Q1 00994 MP 0.00
Leg 2 Direction NB OSID _____

Station Description _ ON SR-5 SB off ramp to 179th st

Date	Day	Time	Comments		
1/11/10	2	12:20	Manual (1) <u>1</u> (2) _____ Counter (1) <u>1</u> (2)	Set up ok	JDM/DB 6.5v
1/12/10	3	10:52	Manual (1) <u>9</u> (2) _____ Counter (1) <u>9</u> (2)	Check ok	JDM/DB 6.5v
1/13/10	4	10:46	Manual (1) <u>6</u> (2) _____ Counter (1) <u>6</u> (2)	Check ok	JDM/DB 6.5v
1/14/10	5	12:37	Manual (1) <u>2</u> (2) _____ Counter (1) <u>2</u> (2)	Check ok	JDM/DB 6.6v
1/15/10	6	09:52	Manual (1) <u>1</u> (2) _____ Counter (1) <u>1</u> (2)	P/U ok	JDM/DB 6.5v

Sketch



JDM/DB
Field Person

SR 005 Q100994 MP 000.00 OFF SYSTEM ID. LEG 2 DIRECTION OF TRAFFIC NORTHBOUND LANE ALL OF
 COUNT IDENTIFIER 10-001 COUNTER NUMBER 032302 DESCRIPTION: ON SR 5 SB OFF RAMP TO NE 179TH ST

COUNT	IDENTIFIER	DATE	AM HOURS												PM TOTAL	DAILY TOTAL													
			1	2	3	4	5	6	7	8	9	10	11	12															
01/11/10	MONDAY		12	1	2	3	4	5	6	7	8	9	10	11	12	36	92	93	108	94	126	81	57	37	30	17	4	775	
			1	2	3	4	5	6	7	8	9	10	11	12	15	20	25	36	25	31	15	16	8	8	4	4	1		
00-15																													
15-30																													
30-45																													
45-00																													
TOT																													

COUNT	IDENTIFIER	DATE	AM HOURS												PM TOTAL	DAILY TOTAL																
			1	2	3	4	5	6	7	8	9	10	11	12																		
01/12/10	TUESDAY		12	1	2	3	4	5	6	7	8	9	10	11	12	111	82	93	84	76	65	89	98	117	100	68	54	36	37	15	16	1368
			1	2	3	4	5	6	7	8	9	10	11	12	23	24	26	24	21	17	30	23	29	20	19	17	7	7	14	2		
00-15																																
15-30																																
30-45																																
45-00																																
TOT																																

COUNT	IDENTIFIER	DATE	AM HOURS												PM TOTAL	DAILY TOTAL																
			1	2	3	4	5	6	7	8	9	10	11	12																		
01/13/10	WEDNESDAY		12	1	2	3	4	5	6	7	8	9	10	11	12	94	78	78	69	78	84	82	82	107	141	78	53	30	37	15	13	1378
			1	2	3	4	5	6	7	8	9	10	11	12	19	13	22	14	15	21	19	13	23	23	17	12	8	5	5	6	3	
00-15																																
15-30																																
30-45																																
45-00																																
TOT																																

AM PEAK HOUR 0715 TO 0815 VOLUME 125
 PM PEAK HOUR 0500 TO 0600 VOLUME 141

AM PEAK HOUR 0700 TO 0800 VOLUME 129
 PM PEAK HOUR 0415 TO 0515 VOLUME 119

SR 005 Q100994 MP 000.00 OFF SYSTEM ID. LEG 2 DIRECTION OF TRAFFIC NORTHBOUND LANE ALL OF

COUNT IDENTIFIER 10-001 COUNTER NUMBER 032302 DESCRIPTION: ON SR 5 SB OFF RAMP TO NE 179TH ST

01/14/10	THURSDAY	AM HOURS												PM HOURS												DAILY TOTAL
		1	2	3	4	5	6	7	8	9	10	11	12	1	2	3	4	5	6	7	8	9	10	11	12	
12	1	2	3	4	5	6	7	8	9	10	11	12	1	2	3	4	5	6	7	8	9	10	11	12	119	
1	2	3	4	5	6	7	8	9	10	11	12	1	2	3	4	5	6	7	8	9	10	11	12	119		
00-15	2	1	1	1	1	10	31	16	26	16	17	12	25	27	32	30	32	21	19	17	10	4	2	422		
15-30	6	1	1	1	1	15	26	21	18	24	14	11	18	27	26	32	32	7	7	9	12	2	4	1248		
30-45	4	3	1	1	2	21	32	19	19	16	10	10	23	32	36	36	30	15	13	5	12	2	5	1248		
45-00	1	2	2	5	7	22	39	22	17	21	14	14	13	26	28	35	26	16	6	9	9	4	2	1248		
TOT	13	4	5	6	9	21	68	128	91	80	78	68	47	77	112	122	133	127	74	45	40	43	12	13	1416	

AM PEAK HOUR 0700 TO 0800 VOLUME 128
 PM PEAK HOUR 0430 TO 0530 VOLUME 142

01/15/10	FRIDAY	AM HOURS												PM HOURS												DAILY TOTAL
		1	2	3	4	5	6	7	8	9	10	11	12	1	2	3	4	5	6	7	8	9	10	11	12	
12	1	2	3	4	5	6	7	8	9	10	11	12	1	2	3	4	5	6	7	8	9	10	11	12	422	
1	2	3	4	5	6	7	8	9	10	11	12	1	2	3	4	5	6	7	8	9	10	11	12	422		
00-15	2	1	1	1	7	1	19	23	23	27														422		
15-30	1	1	1	1	4	4	14	37	23	10														1248		
30-45	4	1	3	6	4	3	24	34	21	26														1248		
45-00	9	4	1	8	4	7	17	25	26															1248		
TOT	16	7	5	15	15	15	74	119	93	63														1416		

AM PEAK HOUR 0700 TO 0800 VOLUME 119
 PM PEAK HOUR 0000 TO 0000 VOLUME 0

3 DAYS FACTOR GROUP R045 FACTOR GROUP CB-44
 AVG WEEKDAY VOL 1387 X SEASONAL ADJ. FACTOR 1.0800 = 1498 X AXLE CORR FACTOR 0.8331 = ESTIMATED AVG DAILY TRAFFIC 1248
 PEAK HOUR PERCENTAGES: K = 10.24 D = 100.00
 PEAK HOUR LOCATION : VOLUME = 142 DATE: 01/14/10 TIME: 04:30 PM



RU

Interval 60 min. 15 min.
 Binned(CL/SP) Count(volume)
Lane No 1 2

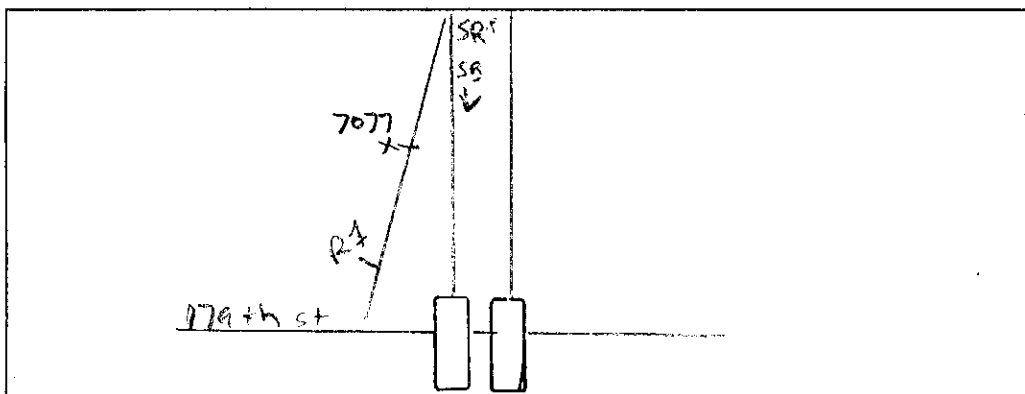
Direction Channel 1 _____
Direction Channel 2 _____
Data Hog # _____

Counter No. 037077 Count ID 10#001
SR 5 RRT/RRQ R1 00971 MP 0.00
Leg 2 Direction SB OSID _____

Station Description ON ^{*NE*} SR-5 SB off ramp to 179th st

Date	Day	Time	Comments
1/11/10	2	13:07	Manual (1) <u>1</u> (2) _____ Set up ok JDM/DB 6.4v Counter (1) <u>1</u> (2)
1/12/10	3	11:25	Manual (1) <u>5</u> (2) _____ Check ok JDM/DB 6.4v Counter (1) <u>5</u> (2)
1/13/10	4	11:27	Manual (1) <u>3</u> (2) _____ Check ok JDM/DB 6.4v Counter (1) <u>3</u> (2)
1/14/10	5	<u>10:16</u>	Manual (1) <u>5</u> (2) _____ Check ok JDM/DB <u>6.4v</u> Counter (1) <u>5</u> (2)
1/15/10	6	<u>10:19</u>	Manual (1) _____ (2) _____ P/U ok JDM/DB Counter (1) _____ (2)

Sketch



JDM/DB
Field Person

SR 005 R100971 MP 000.00

OFF SYSTEM ID.

LEG 2

DIRECTION OF TRAFFIC SOUTHBOUND

LANE ALL OF

COUNT IDENTIFIER 10-001

COUNTER NUMBER 037077

DESCRIPTION: ON SR 5 SB OFF RAMP TO NE 179TH ST

01/11/10 MONDAY

AM HOURS	COUNT		VOLUME		PEAK HOUR		TOTAL	
	AM	PM	AM	PM	AM	PM	AM	PM
00-15	1	2	19	20	18	16	11	13
15-30	2	3	23	25	23	25	15	16
30-45	1	2	19	19	18	18	14	14
45-00	1	2	15	15	15	15	5	5
TOT	5	9	67	76	115	128	42	42
							27	15
								8
								767

01/12/10 TUESDAY

AM HOURS	COUNT		VOLUME		PEAK HOUR		TOTAL	
	AM	PM	AM	PM	AM	PM	AM	PM
00-15	1	2	15	15	15	15	9	9
15-30	2	3	27	27	27	27	9	9
30-45	2	2	29	29	29	29	9	9
45-00	1	1	24	24	24	24	7	7
TOT	6	8	103	118	101	93	34	29
								20
								14
								1485

AM PEAK HOUR 0730 TO 0830 VOLUME 134
PM PEAK HOUR 0445 TO 0545 VOLUME 156

01/13/10 WEDNESDAY

AM HOURS	COUNT		VOLUME		PEAK HOUR		TOTAL	
	AM	PM	AM	PM	AM	PM	AM	PM
00-15	1	2	19	21	19	21	10	10
15-30	2	3	28	34	28	34	8	13
30-45	1	2	20	28	20	28	15	9
45-00	2	1	48	17	48	17	8	6
TOT	7	8	108	108	70	113	41	37
								7
								14
								1485

AM PEAK HOUR 1000 TO 1100 VOLUME 113
PM PEAK HOUR 0315 TO 0415 VOLUME 141

SR 005 R100971 MP 000.00 OFF SYSTEM ID. LEG 2 DIRECTION OF TRAFFIC SOUTHBOUND LANE ALL OF
 COUNT IDENTIFIER 10-001 COUNTER NUMBER 037077 DESCRIPTION: ON SR 5 SB OFF RAMP TO NE 179TH ST

01/14/10 THURSDAY	AM HOURS												PM HOURS												DAILY TOTAL		
	1	2	3	4	5	6	7	8	9	10	11	12	1	2	3	4	5	6	7	8	9	10	11	12			
12	1	2	3	4	5	6	7	8	9	10	11	12	1	2	3	4	5	6	7	8	9	10	11	12	121		
1	2	3	4	5	6	7	8	9	10	11	12	1	2	3	4	5	6	7	8	9	10	11	12	150			
00-15	1	1	1	1	1	1	1	1	1	1	1	1	1	1	1	1	1	1	1	1	1	1	1	15			
15-30	5	5	1	1	2	1	1	1	1	1	1	1	1	1	1	1	1	1	1	1	1	1	1	15			
30-45	4	1	1	1	2	1	1	1	1	1	1	1	1	1	1	1	1	1	1	1	1	1	1	15			
45-00	3	1	1	1	1	1	1	1	1	1	1	1	1	1	1	1	1	1	1	1	1	1	1	15			
HOUR	13	7	7	5	13	24	49	111	94	91	108	97	70	112	111	135	135	132	89	63	41	36	23	13	1579		
TOT	AM PEAK HOUR 1015 TO 1115 VOLUME												PM PEAK HOUR 0315 TO 0415 VOLUME												AM TOTAL	PM TOTAL	DAILY TOTAL

01/15/10 FRIDAY	AM HOURS												PM HOURS												DAILY TOTAL		
	1	2	3	4	5	6	7	8	9	10	11	12	1	2	3	4	5	6	7	8	9	10	11	12			
12	1	2	3	4	5	6	7	8	9	10	11	12	1	2	3	4	5	6	7	8	9	10	11	12	121		
1	2	3	4	5	6	7	8	9	10	11	12	1	2	3	4	5	6	7	8	9	10	11	12	0			
00-15	3	1	1	3	1	4	20	28	27	30														432			
15-30	1	1	4	2	1	10	16	22	33															0			
30-45	1	1	7	4	1	14	37	19	29															0			
45-00	1	1	2	5	2	15	23	28	29															0			
HOUR	5	2	14	14	3	10	43	96	97	118	30														432		
TOT	AM PEAK HOUR 0915 TO 1015 VOLUME												PM PEAK HOUR 0000 TO 0000 VOLUME												AM TOTAL	PM TOTAL	DAILY TOTAL

01/11/10 THRU 01/15/10 92
 TOTAL HOURS FOR COUNT
 3 DAYS
 AVG WEEKDAY VOL 1516 X SEASONAL ADJ. FACTOR 1.0800 = 1637 X AXLE CORR FACTOR 0.8331 = ESTIMATED AVG DAILY TRAFFIC 1364
 PEAK HOUR PERCENTAGES: K = 10.29 D = 100.00
 PEAK HOUR LOCATION : VOLUME = 156 DATE: 01/12/10 TIME: 04:45 PM