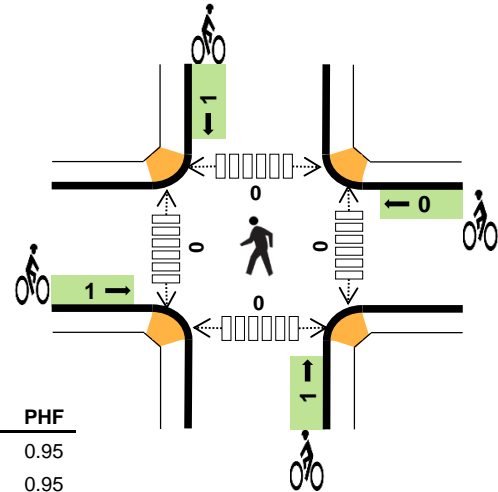
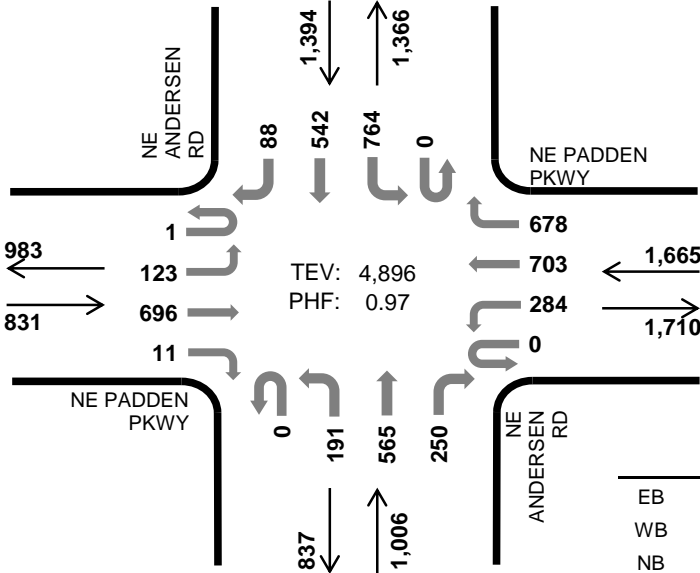


NE ANDERSEN RD NE PADDEN PKWY



Peak Hour

Date: Thu, Mar 16, 2017
Count Period: 4:00 PM to 6:00 PM
Peak Hour: 4:30 PM to 5:30 PM



	HV %:	PHF
EB	1.4%	0.95
WB	2.1%	0.95
NB	0.0%	0.95
SB	1.5%	0.97
TOTAL	1.4%	0.97

Two-Hour Count Summaries

Interval Start	NE PADDEN PKWY Eastbound				NE PADDEN PKWY Westbound				NE ANDERSEN RD Northbound				NE ANDERSEN RD Southbound				15-min Total	Rolling One Hour
	UT	LT	TH	RT	UT	LT	TH	RT	UT	LT	TH	RT	UT	LT	TH	RT		
	4:00 PM	0	31	172	1	0	53	151	166	0	40	135	62	0	181	113		
4:15 PM	0	23	140	5	0	74	191	160	0	52	154	44	0	182	142	31	1,198	0
4:30 PM	1	31	187	0	0	71	172	189	0	49	134	69	0	199	136	17	1,255	0
4:45 PM	0	31	161	5	0	69	188	160	0	46	142	60	0	203	135	22	1,222	4,804
5:00 PM	0	29	177	3	0	55	162	161	0	45	139	57	0	179	123	22	1,152	4,827
5:15 PM	0	32	171	3	0	89	181	168	0	51	150	64	0	183	148	27	1,267	4,896
5:30 PM	0	29	147	3	0	76	192	142	0	35	150	51	0	167	139	10	1,141	4,782
5:45 PM	0	32	126	0	0	68	188	175	0	38	119	55	0	183	135	25	1,144	4,704
Count Total	1	238	1,281	20	0	555	1,425	1,321	0	356	1,123	462	0	1,477	1,071	178	9,508	0
Peak Hour	1	123	696	11	0	284	703	678	0	191	565	250	0	764	542	88	4,896	0

Note: Two-hour count summary volumes include heavy vehicles but exclude bicycles in overall count.

Interval Start	Heavy Vehicle Totals					Bicycles					Pedestrians (Crossing Leg)				
	EB	WB	NB	SB	Total	EB	WB	NB	SB	Total	East	West	North	South	Total
4:00 PM	3	15	0	8	26	1	0	1	1	3	0	0	0	0	0
4:15 PM	4	5	2	7	18	1	0	1	0	2	0	0	0	0	0
4:30 PM	4	15	0	4	23	0	0	0	0	0	0	0	0	0	0
4:45 PM	4	7	0	8	19	1	0	0	0	1	0	0	0	0	0
5:00 PM	2	8	0	5	15	0	0	0	1	1	0	0	0	0	0
5:15 PM	2	5	0	4	11	0	0	1	0	1	0	0	0	0	0
5:30 PM	1	7	0	4	12	0	0	0	1	1	0	0	0	1	1
5:45 PM	3	3	1	6	13	0	0	0	1	1	0	0	1	1	2
Count Total	23	65	3	46	137	3	0	3	4	10	0	0	1	2	3
Peak Hour	12	35	0	21	68	1	0	1	1	3	0	0	0	0	0